

PARTS CATALOGUE



ATV

LB10AE(JP)

MXU 50



Release Date : 2018/10/23
Print Date : 2018/11/15

本パーツリストについて

- 本パーツリストは LB10AE(JP).の全てのパーツ番号が記載されています。
- 車輻のカラーチャートとバイクに相違がある場合は正規販売店もしくはKYMCO JAPANへお問い合わせください。
- 1. "***"記号が記載している場合、3文字の色コードをパーツ番号の最後に記入してください。
2. "#" 記号が記載している場合、パーツの設定、変更があります。正規販売店もしくはKYMCO JAPANへお問い合わせください。
- このパーツリストの変更または追加は、適切な時期に予告なく行われます。

ABOUT THIS PARTS LIST

- This parts list is compiled all service parts for model LB10AE(JP).
- Any difference between color chart and motorcycle will be revised according to motorcycle.
- The Mark:
 1. Marking "***" must add color code in the end before ordering parts.
 2. Marking "#" are parts with modification, Please find the details from e-Parts system.
- When modification or additions to this parts list are made a revised edition at an appropriate time.

目次

● 本パーツリストについて	1
● LB10AE(JP)のカラーチャート	3
● 目次-エンジン関	5
● 目次-フレーム関係	7
● エンジンパーツリスト	10
● フレームパーツリスト	44
● パーツ番号 検索	112

CONTENTS

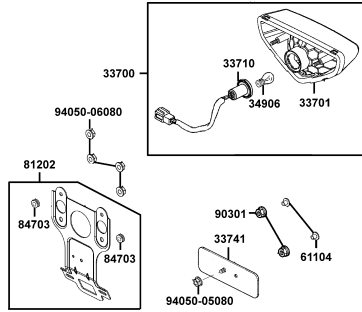
● ABOUT THIS PARTS LIST	1
● COLOR CHART OF LB10AE(JP)	3
● CONTENTS-ENGINE GROUP	5
● CONTENTS-FRAME GROUP	7
● ENGINE PARTS LIST	10
● FRAME PARTS LIST	44
● PART NO. INDEX	112

NO	モデル			LB10AE(JP)のカラーチャート			
	写真番号			NO. 1	NO. 2		
	基本色						
	コード			Blue	Red		
	パーツ名	パーツ番号	バージョン	PB089SA	RR338SA		
1	FENDER FRONT	60100-LCA4-E00	1	C3R	E4R		
2	FENDER RR	80100-LCA4-E00	1				
3	LEVER R STRG HANDLE	53175-LLB1-800	0	M2A			
4	LEVER L STRG HNDL	53178-KEBE-900	0				
5	RR CARRIER LUGGAGE	77330-LCA4-E00	3	MAS			
6	FR CARRIER LUGGAGE	77430-LCA4-E00	3				
7	COVER TANK	17700-LCA4-E00	3	N1R			
8	COVER FRONT	64301-LCA4-E00	1				
9	BUMPER FRONT	64302-LCA5-E01	1				
10	MUDGUARD.R FLOOR	80121-LCA4-E01	2				
11	MUDGUARD.L FLOOR	80122-LCA4-E01	2				
12	COVER.R SIDE	83500-LCA4-E01	2				
13	COVER.L SIDE	83600-LCA4-E01	2				
14	BAND HARNESS WIRE	90656-KUDU-900	0				
15	HUB ASSY RR	42610-LLJ1-E01	4	N1S			
16	COVER L SIDE	11341-KBCB-900	0	N8A			
17	CALIPER ASSY RR	43100-LLB1-800	6	NJA			
18	PANEL COMP FR RH	45100-LLB1-900	2				
19	PANEL COMP FR LH	46100-LLB1-900	2	NJS			
20	RIM COMP RR WHEEL	42705-LCA5-E00	4				
21	RIM COMP FR WHEEL	44705-LCA5-E00	3	R8S			
22	CUSHION ASSY FRS	51400-LCA4-E00	4				
23	CUSHION ASSY RR	52400-LCA4-E00	3	T01			
24	SEAT ASSY	77200-LCA4-E00	1				
25	EMB K-LOGO 28.5MM	86102-KKC4-900	3				
販売開始時期							
販売終了時期							

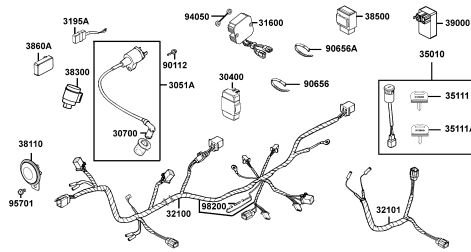
NO	モデル			LB10AE(JP)のカラーチャート			
	写真番号			NO. 1	NO. 2		
	基本色						
	コード			Blue	Red		
	パーツ名	パーツ番号	バージョン	PB089SA	RR338SA		
26	SW LABEL	86182-LCA5-EVV	1	T01			
27	CAUTION SHIFIT GEARS	87322-LBA7-E00	3				
28	LABLE TIRE ON ROAD	87505-LCA4-E01	2				
29	CAUTION LIST ON ROAD	87515-LBA7-E01	1				
30	CAUTION DRIVE AGE	87517-LBD3-E00	2				
31	CAUTION CARRIER MAX	87556-LLB1-E00	2				
32	CAUTION DRIVE AGE	87556-LLB1-E01	2				
33	STRIPE KYMCO	87532-LBE8-900	2	T03			T01
34	STRIPE K-LOGO 60MM	87532-LCA5-900	1				
35	STRIPE L FENDER	86533-LDB1-E61	4				
36	STRIPE R SIDE COVER	86623-LDB1-E61	5	T05			
37	STRIPE L SIDE COVER	86633-LDB1-E61	5	T01			
販売開始時期							
販売終了時期							

CONTENTS - FRAME GROUP 目次-フレーム関係

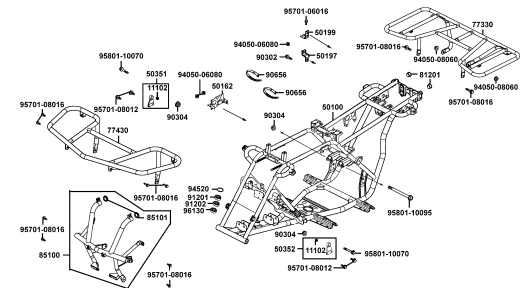
F19 Rear Light



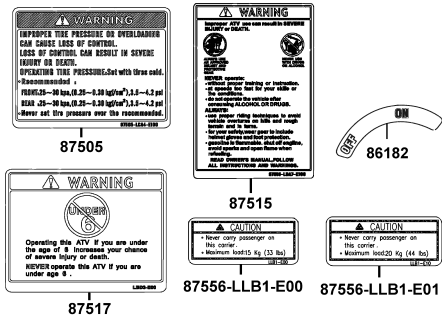
F20 Wire Harness



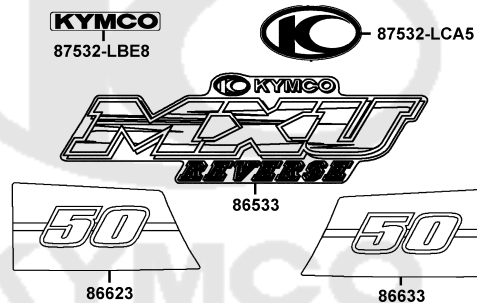
F21 Frame Body



F22 Caution Label

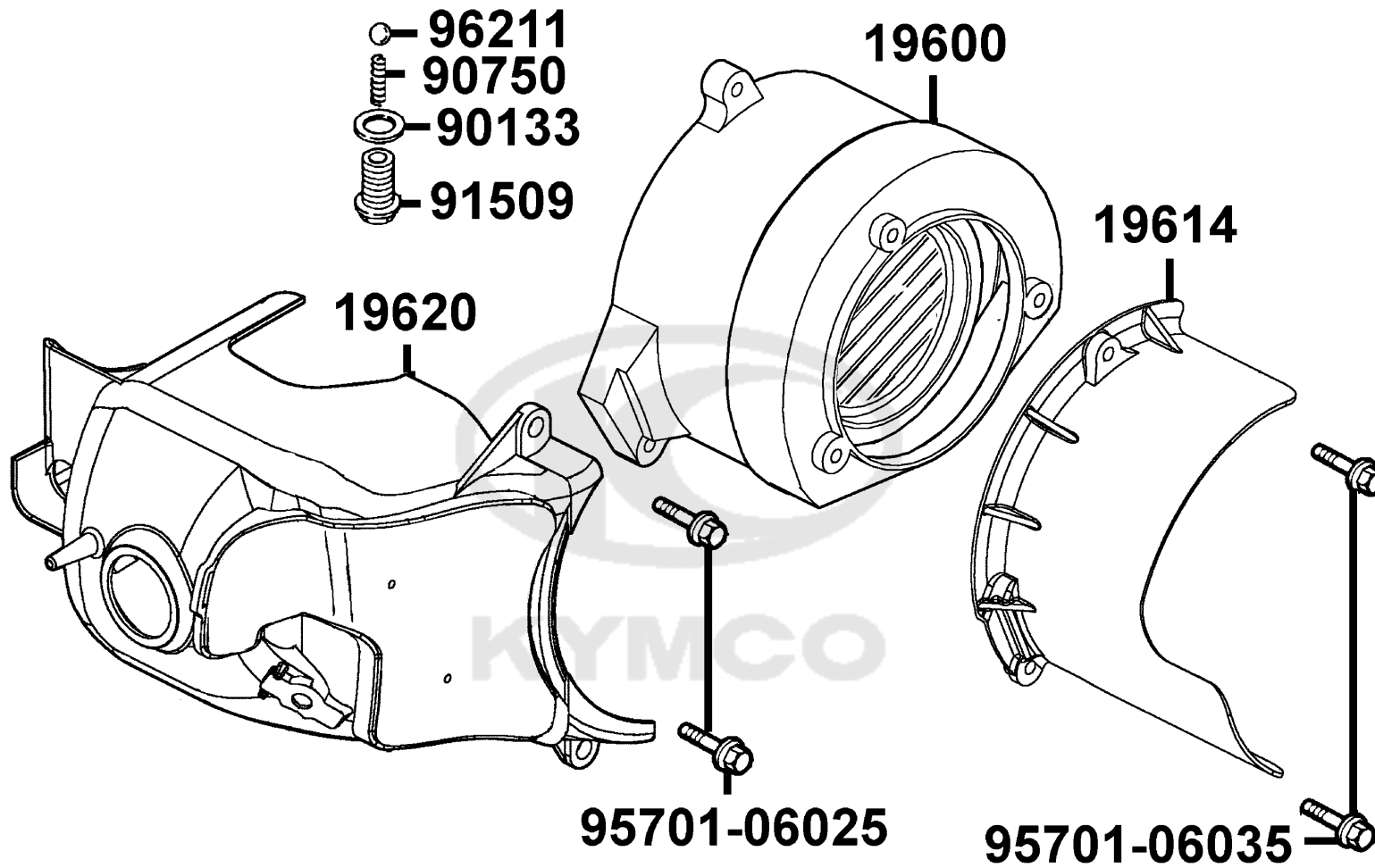


F23 Emblem Stripe

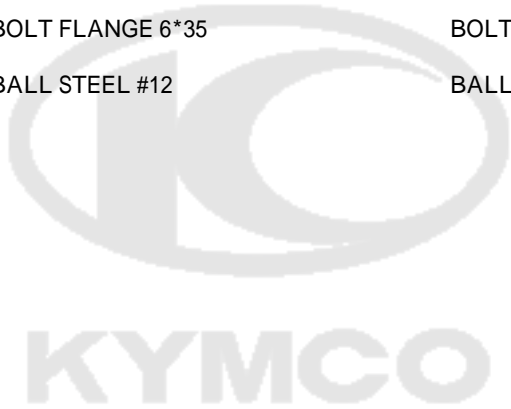


E01

Fan Cover Shroud

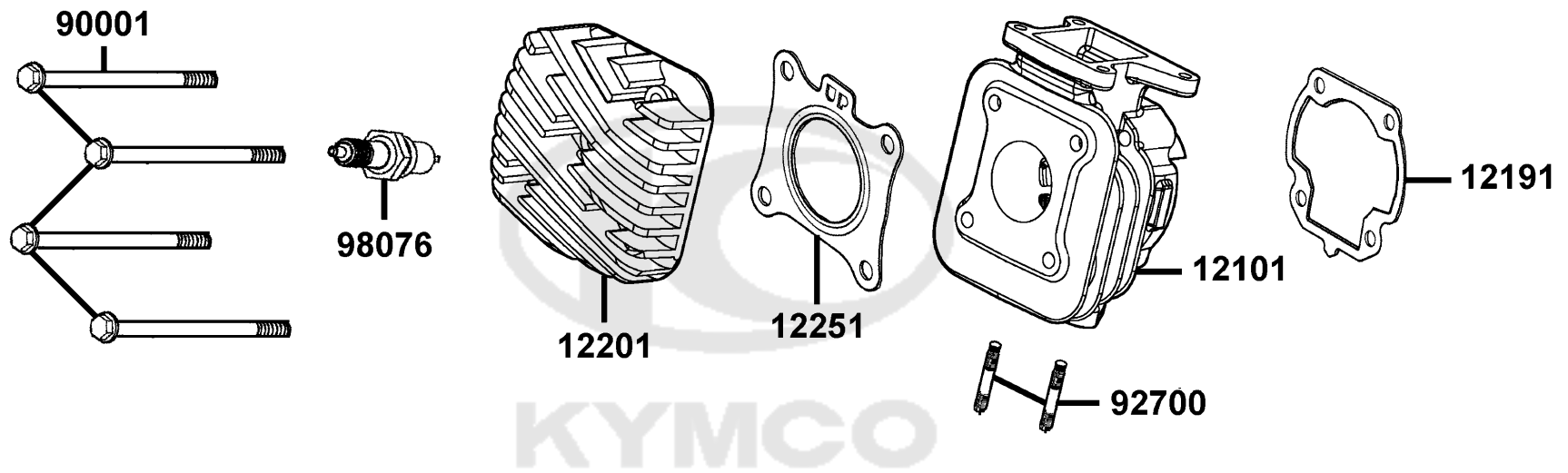


Sales mark 記号	Ref no 参照用番号	Part no パーツ番号	Description 部品名	Reg description 部品名	Regd no 必要個数	Ref Price 希望小売価格(税抜)	E01
19600		19600-KTDT-900	COVER COMP FAN	COVER COMP FAN	1	1910	
19614		19614-LLJ1-900	OUTER COVER FAN COVER	OUTER COVER FAN COVER	1	580	
19620		19620-KZCZ-900	SHROUD COMP	SHROUD COMP	1	2410	
90133		90133-LLB1-900	WASHER BOLT SEAT	WASHER BOLT SEAT	1	160	
90750		90750-LLB1-900	SPRING BOLT SEAT INNER	SPRING BOLT SEAT INNER	1	130	
91509		91509-LLB1-900	BOLT SEAT BALL STOPPER	BOLT SEAT BALL STOPPER	1	320	
95701-06025		95701-06025-06	BOLT FLANGE 6*25	BOLT FLANGE 6*25	1	60	
95701-06035		95701-06035-06	BOLT FLANGE 6*35	BOLT FLANGE 6*35	1	130	
96211		96211-12000	BALL STEEL #12	BALL STEEL #12	1	60	



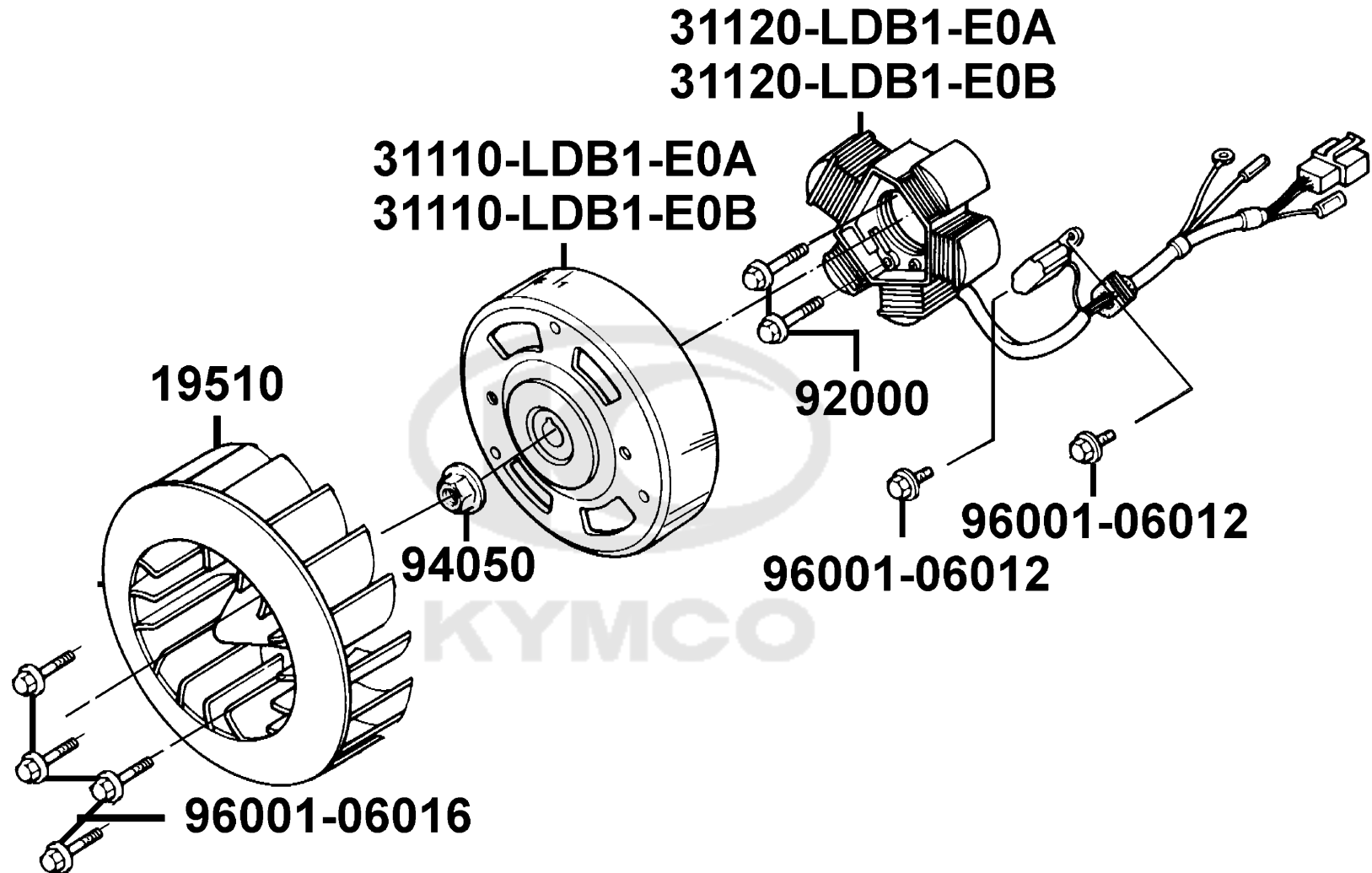
E02

Cylinder Head Cylinder

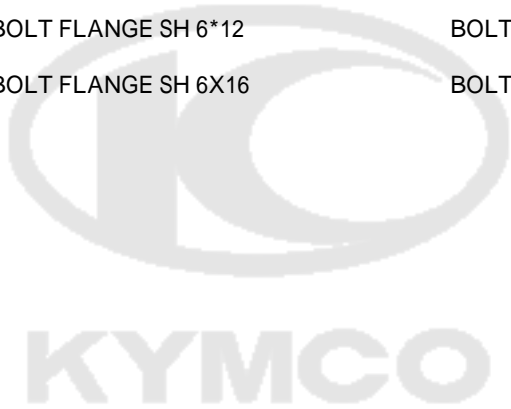


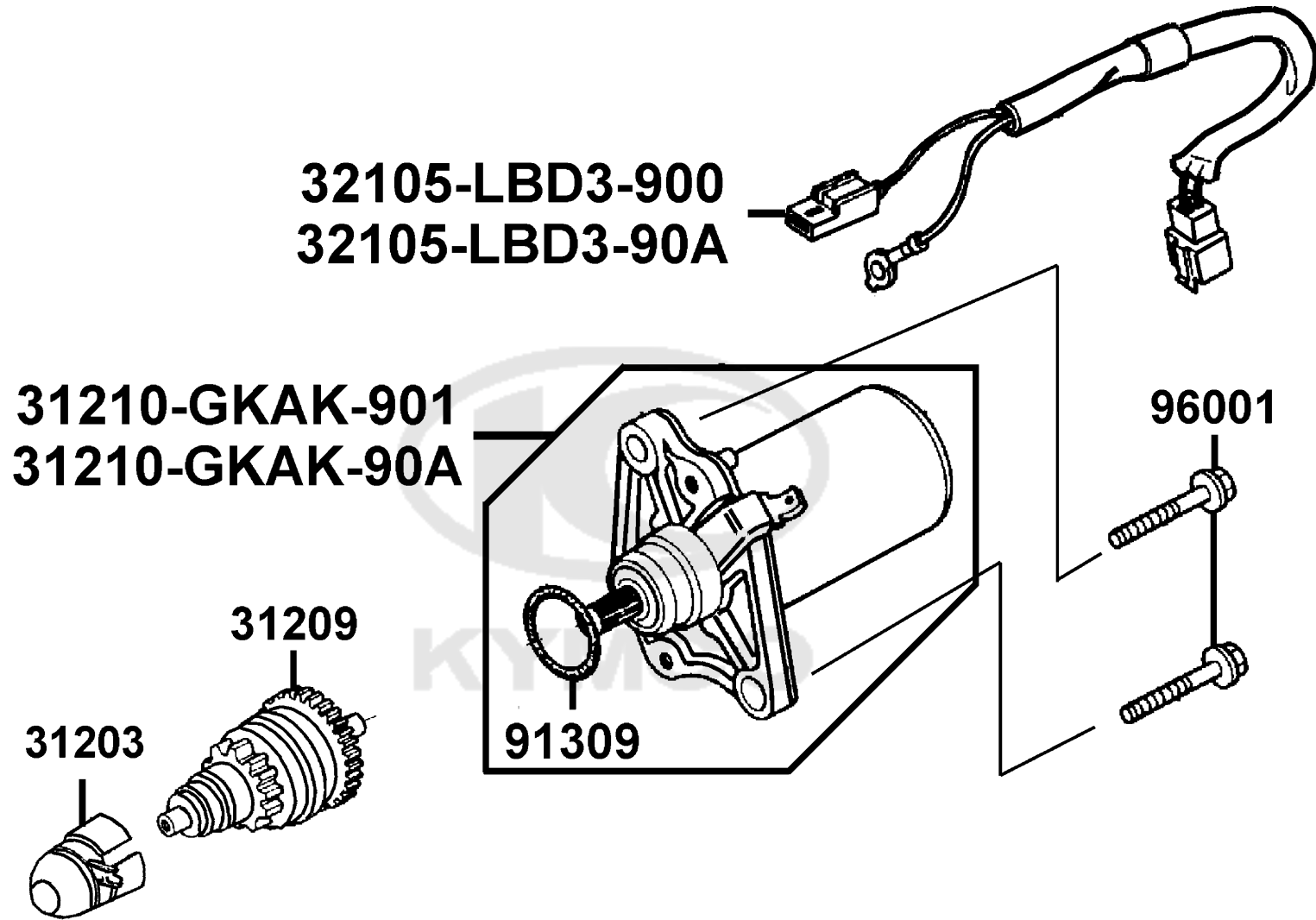
Sales mark 記号	Ref no 参照用番号	Part no パーツ番号	Description 部品名	Reg description 部品名	Regd no 必要個数	Ref Price 希望小売価格(税抜)	E02
12101		12101-GKAK-931	CYLINDER	CYLINDER	1	18680	
12191		12191-LBD3-900	GASKET CYLINDER @A	GASKET CYLINDER A	1	180	
12201		12201-GKAK-921	HEAD CYLINDER	HEAD CYLINDER	1	3810	
12251		12251-GKAK-902	GASKET CYLINDER HEAD	GASKET CYLINDER HEAD	1	250	
90001		90001-GKAK-901	BOLT FLANGE 7*100	BOLT FLANGE 7*100	4	200	
92700		92700-06028-1B	BOLT STUD M6*28	BOLT STUD M6*28	2	60	
98076		98076-5871G-00	SPARK PLUG (BR8HSA)	SPARK PLUG (BR8HSA)	1	1060	



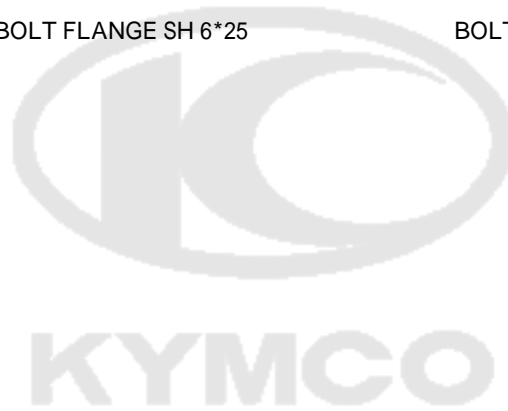


Sales mark 記号	Ref no 参照用番号	Part no パーツ番号	Description 部品名	Reg description 部品名	Regd no 必要個数	Ref Price 希望小売価格(税抜)	E03
19510		19510-GBW2-901	FAN COMP COOLING	FAN COMP COOLING	1	580	
31110-LDB1-E0A		31110-LDB1-E0A	FLYWHEEL COMP	FLYWHEEL COMP	1	10880	
31110-LDB1-E0B		31110-LDB1-E0B	FLYWHEEL COMP	FLYWHEEL COMP	1	10880	
31120-LDB1-E0A		31120-LDB1-E0A	STATOR COMP D406	STATOR COMP D406	1	9630	
31120-LDB1-E0B		31120-LDB1-E0B	STATOR COMP D402	STATOR COMP D402	1	9630	
92000		92000-06025-0G	BOLT HEX 6X25	BOLT HEX 6X25	1	200	
94050		94050-10080	NUT FLANGE 10MM	NUT FLANGE 10MM	1	60	
96001-06012		96001-06012-06	BOLT FLANGE SH 6*12	BOLT FLANGE SH 6*12	1	60	
96001-06016		96001-06016-06	BOLT FLANGE SH 6X16	BOLT FLANGE SH 6X16	1	60	



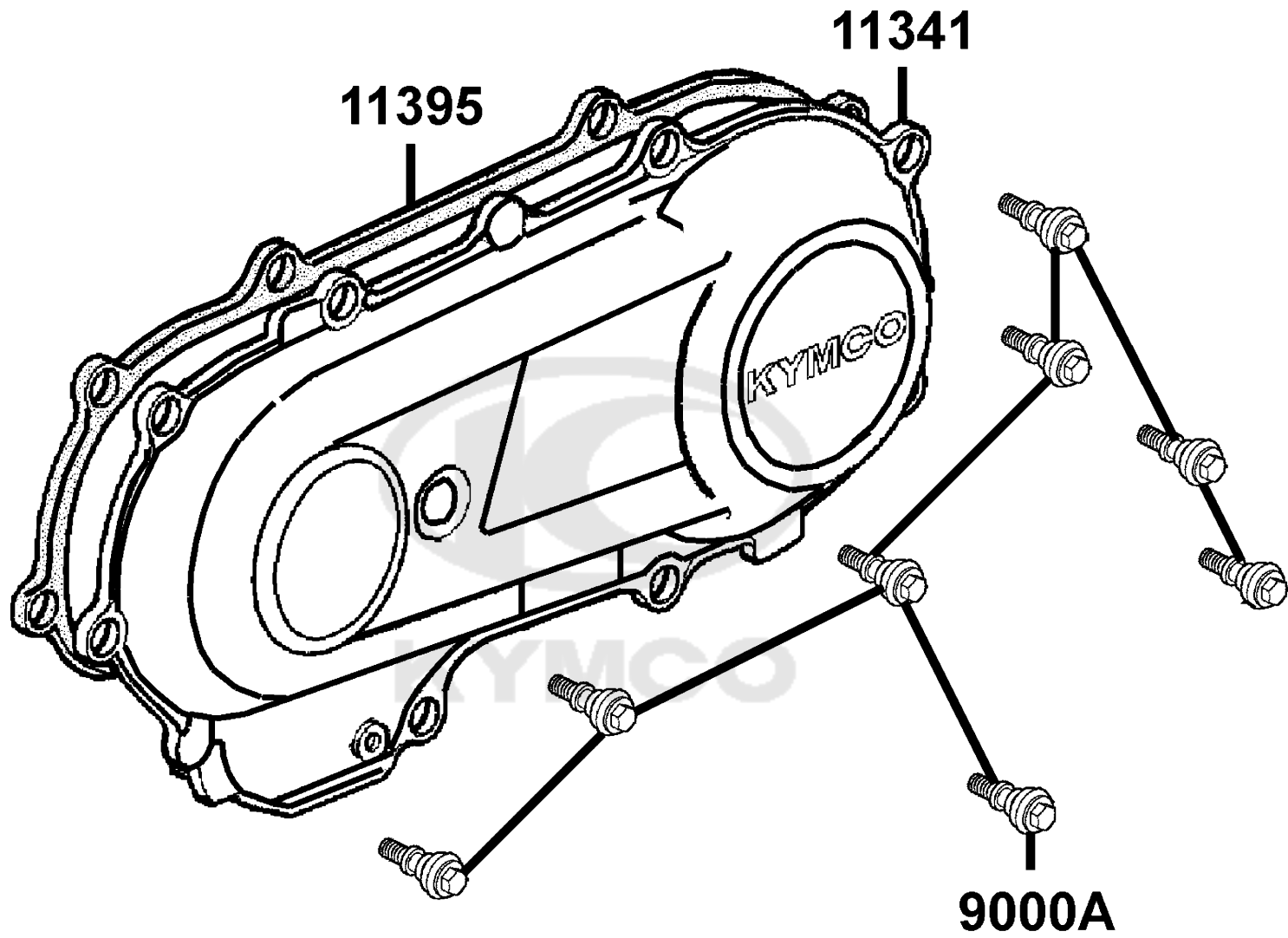


Sales mark 記号	Ref no 参照用番号	Part no パーツ番号	Description 部品名	Reg description 部品名	Regd no 必要個数	Ref Price 希望小売価格(税抜)	E04
31203		31203-GKAK-901	HOLDER COMP STARTER PINION	HOLDER COMP STARTER PINION	1	1060	
31209		31209-GKAK-901	PINION ASSY STARTER	PINION ASSY STARTER	1	8560	
31210-GKAK-901		31210-GKAK-901	MOTOR UNIT START	MOTOR UNIT START	1	14450	
31210-GKAK-90A		31210-GKAK-90A	MOTOR UNIT START	MOTOR UNIT START	1	14450	
32105-LBD3-900		32105-LBD3-900	SUB HARNESS	SUB HARNESS	1	1080	
32105-LBD3-90A		32105-LBD3-90A	SUB HARNESS	SUB HARNESS	1	1080	
91309		91309-GKAK-901	O RING	O RING	1	70	
96001		96001-06025-06	BOLT FLANGE SH 6*25	BOLT FLANGE SH 6*25	1	60	



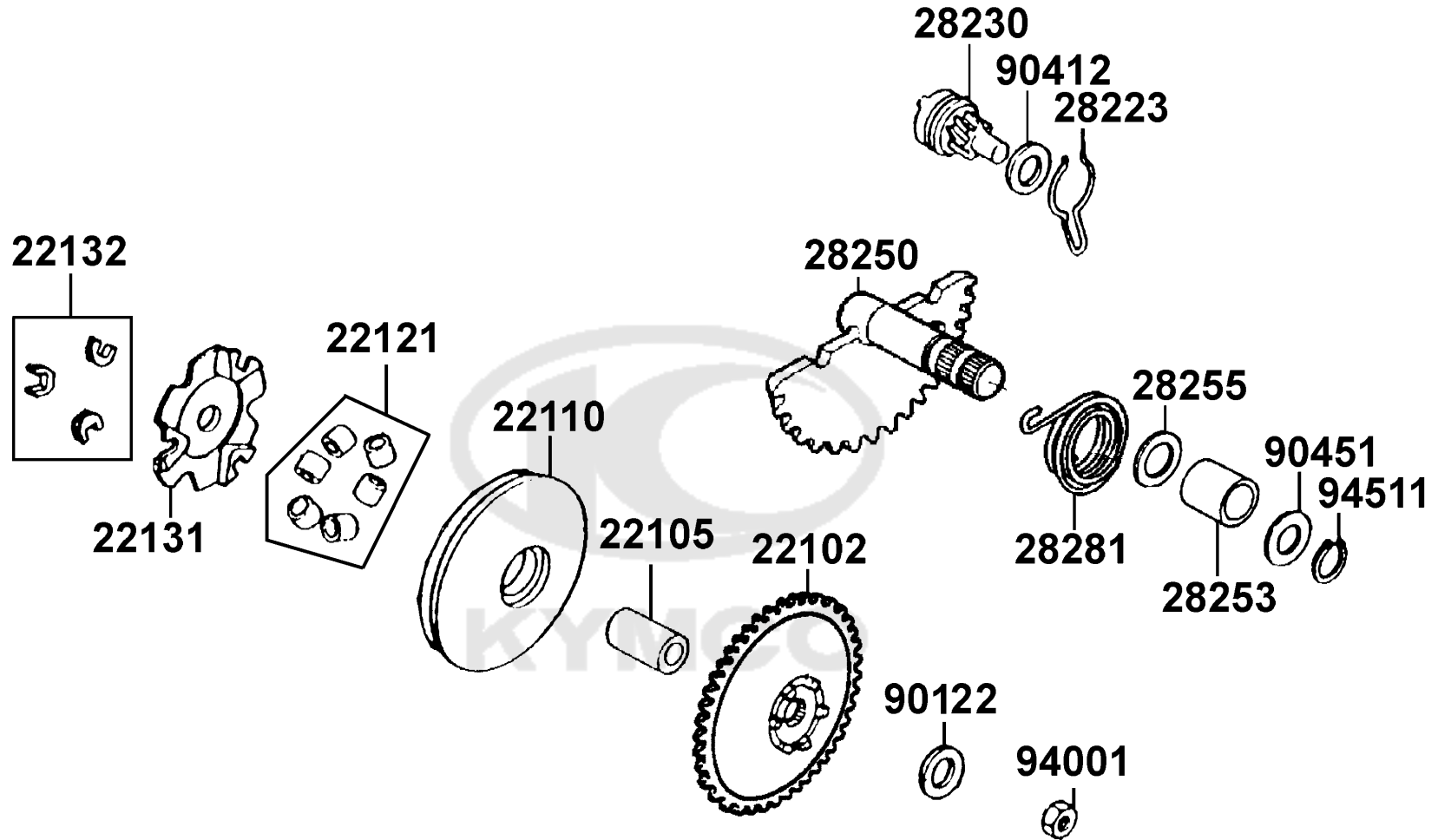
E05

Left Crankcase Cover



Sales mark 記号	Ref no 参照用番号	Part no パーツ番号	Description 部品名	Reg description 部品名	Regd no 必要個数	Ref Price 希望小売価格(税抜)	E05
**	11341	11341-KBCB-900		COVER L SIDE	1	9580	
	11395	11395-GKAK-901	GASKET L COVER @A	GASKET L COVER	1	1280	
	9000A	9000A-KTDT-900	BOLT ASSY SPECIAL 6*29.5	BOLT ASSY SPECIAL 6*29.5	8	300	

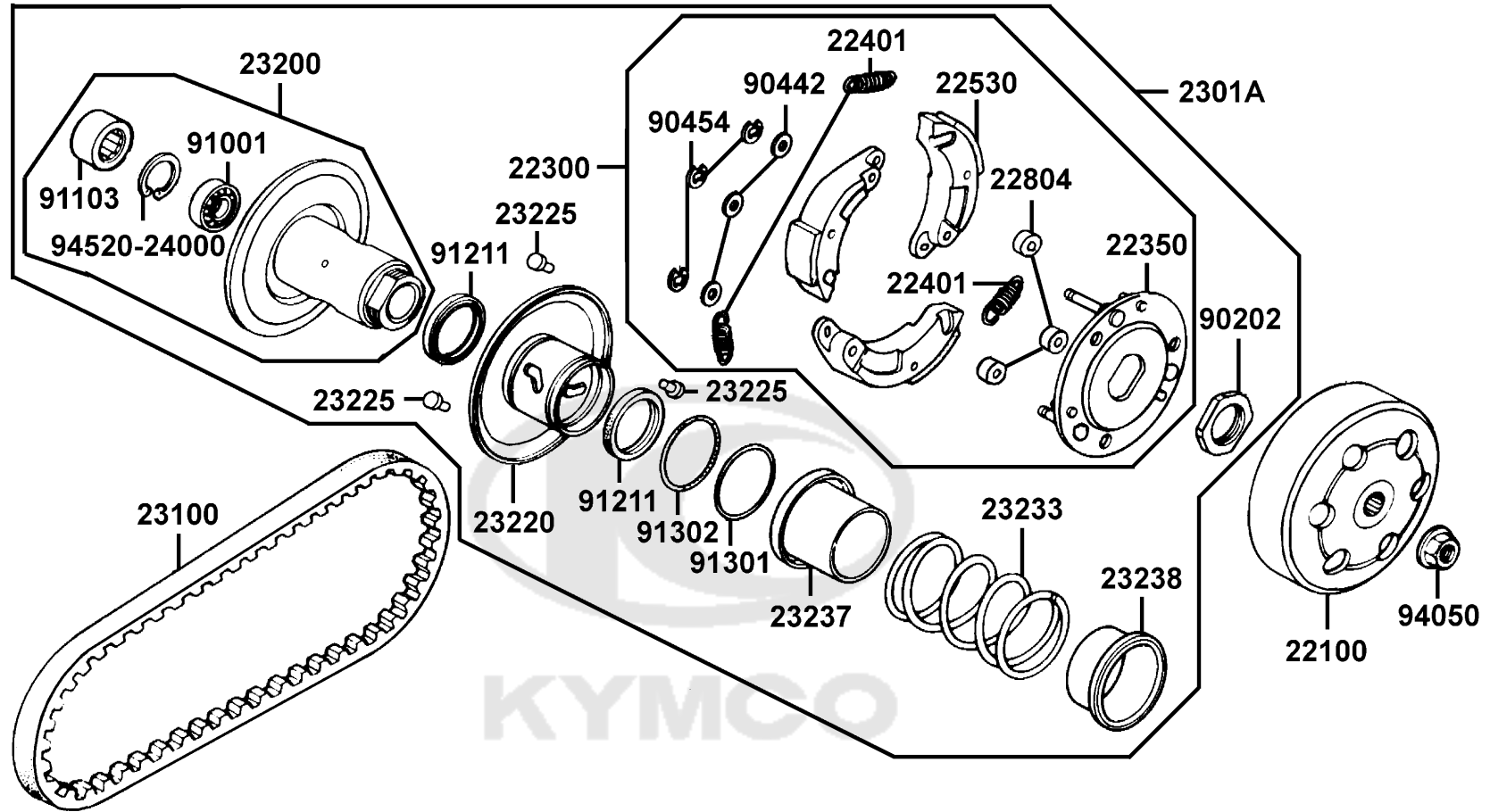




Sales mark 記号	Ref no 参照用番号	Part no パーツ番号	Description 部品名	Reg description 部品名	Regd no 必要個数	Ref Price 希望小売価格(税抜)	E06
22102		22102-GHAH-721	FACE COMP DRIVE	FACE COMP DRIVE	1	3150	
22105		22105-LLJ1-900	BOSS DRIVE FACE	BOSS DRIVE FACE	1	1150	
22110		22110-KFA1-220	FACE COMP MOVABLE DRIVE	FACE COMP MOVABLE DRIVE	1	1340	
22121		22121-KFA1-305	ROLLER SET WEIGHT (1SET:6PCS)	ROLLER SET WEIGHT (1SET:6PCS)	1	1620	
22131		22131-GHAH-781	PLATE RAMP	PLATE RAMP	1	1060	
22132		22132-GLW0-305	PIECE SLIDE(旧品番の、E2132-GLW0-	PIECE SLIDE(1台分はオーダー数「1」で注	1	480	
28223		28223-KNBN-901	SPG KICK DRIVEN GEAR	SPG KICK DRIVEN GEAR	1	160	
28230		28230-GKAK-921	GEAR COMP KICK DRIVEN	GEAR COMP KICK DRIVEN	1	1820	
28250		28250-KNBN-901	SPINDLE COMP KICK STARTER	SPINDLE COMP KICK STARTER	1	1820	
28253		28253-GBN2-60A	BUSH KICK SPINDLE	BUSH KICK SPINDLE	1	200	
28255		28255-GFS6-001	COLLAR KICK BOSS	COLLAR KICK BOSS	1	160	
28281		28281-GBN2-60A	SPRING KICK RETURN	SPRING KICK RETURN	1	390	
90122		90122-GCS3-001	WASHER 12MM	WASHER 12MM	1	160	
90412		90412-3K29-001	WASHER THRUST 10M/M	WASHER THRUST 10M/M	1	130	
90451		90451-GBN2-601	WASHER KICK SPINDLE	WASHER KICK SPINDLE	1	110	
94001		94001-12280-0S	NUT HEX 12MM	NUT HEX 12MM	1	160	
94511		94511-14000	CIR CLIP EX 14	CIR CLIP EX 14	1	110	

E07

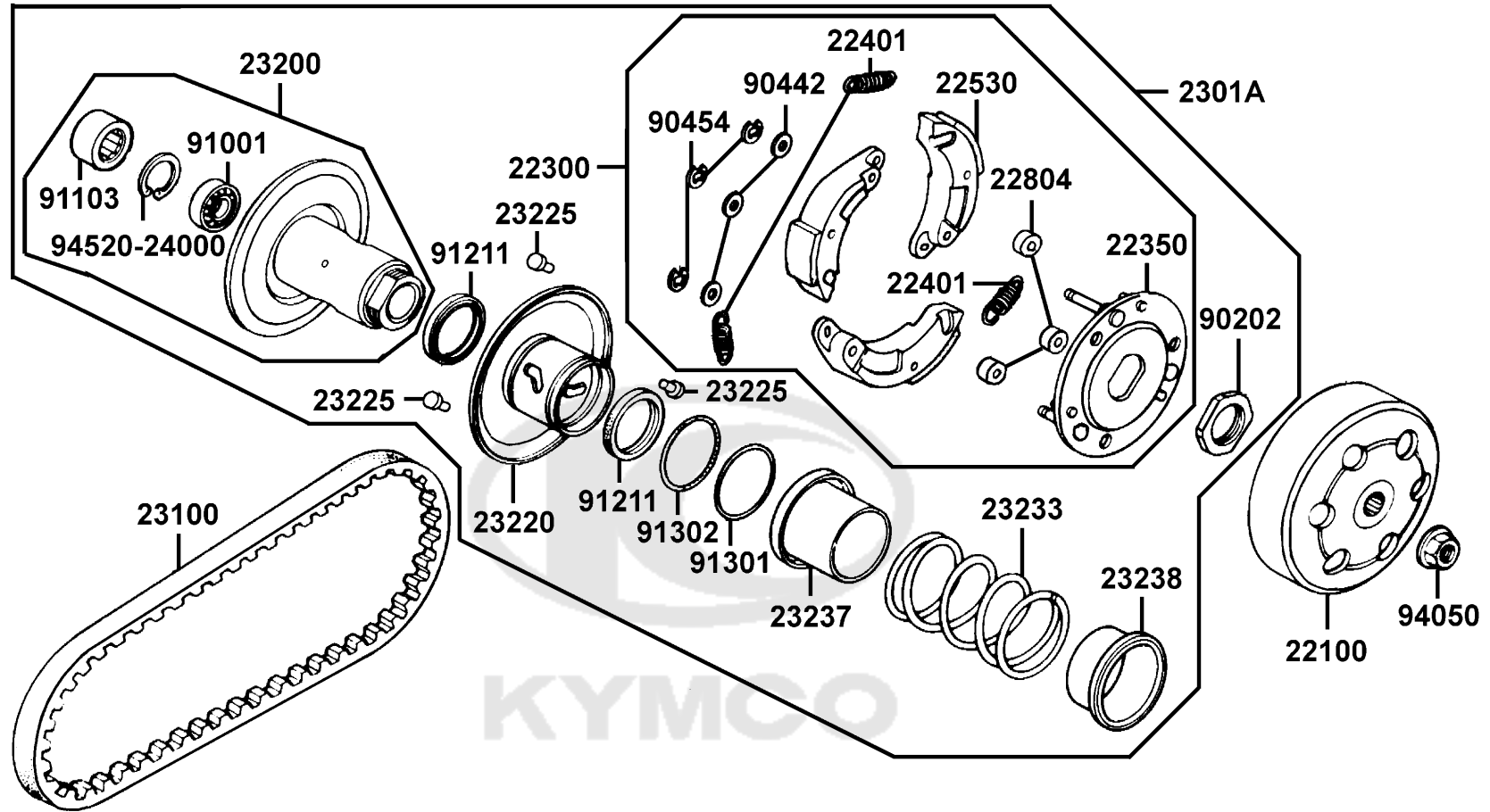
Driven Pulley



Sales mark 記号	Ref no 参照用番号	Part no パーツ番号	Description 部品名	Reg description 部品名	Regd no 必要個数	Ref Price 希望小売価格(税抜)	E07
22100		22100-GAR1-751	CLUTCH OUTER	CLUTCH OUTER	1	3530	
22300		22300-GGAG-750	PLATE ASSY DRIVE	PLATE ASSY DRIVE	1	6970	
22350		22350-GKAK-930	PLATE COMP DRIVE	PLATE COMP DRIVE	1	1370	
22401		22401-GJAJ-920	SPRING CLUTCH	SPRING CLUTCH	3	140	
22530		22530-GKAK-930	WEIGHT CLUTCH	WEIGHT CLUTCH	3	1440	
22804		22804-1H48-001	RUBBER CLUTCH DAMPER	RUBBER CLUTCH DAMPER	3	110	
2301A		2301A-LLJ1-EZ0	PULLEY SUB ASSY	PULLEY SUB ASSY	1	18380	
23100		23100-GKAK-901	BELT DRIVE	BELT DRIVE	1	3690	
23200		23200-GAR1-220	FACE ASSY DRIVEN	FACE ASSY DRIVEN	1	8560	
23220		23220-GKAK-220	FACE COMP MOVABLE DRIVEN	FACE COMP MOVABLE DRIVEN	1	5710	
23225		23225-GAR1-751	PIN GUIDE	PIN GUIDE	3	130	
23233		23233-LLJ1-EZ0	SPG DRIVEN FACE	SPG DRIVEN FACE	1	420	
23237		23237-GAR1-220	COLLAR SEAL	COLLAR SEAL	1	540	
23238		23238-GFY6-941	COLLAR SPG	COLLAR SPG	1	450	
90202		90202-1G87-001	NUT SPECIAL 28MM	NUT SPECIAL 28MM	1	250	
90442		90442-0D44-001	WASHER THRUST 6M	WASHER THRUST 6M	3	60	
90454		90454-GBB2-001	CIRCLIP 6MM	CIRCLIP 6MM	3	60	
91001		91001-GGA7-70A	BRG RADIAL BALL 6901U	BRG RADIAL BALL 6901U	1	1720	
91103		91103-GAR1-004	BRG NEEDLE 17*25*18 WS	BRG NEEDLE 17*25*18 WS	1	1530	
91211		91211-GHK8-014	OIL SEAL 34*39*3	OIL SEAL 34*39*3	2	230	

E07

Driven Pulley

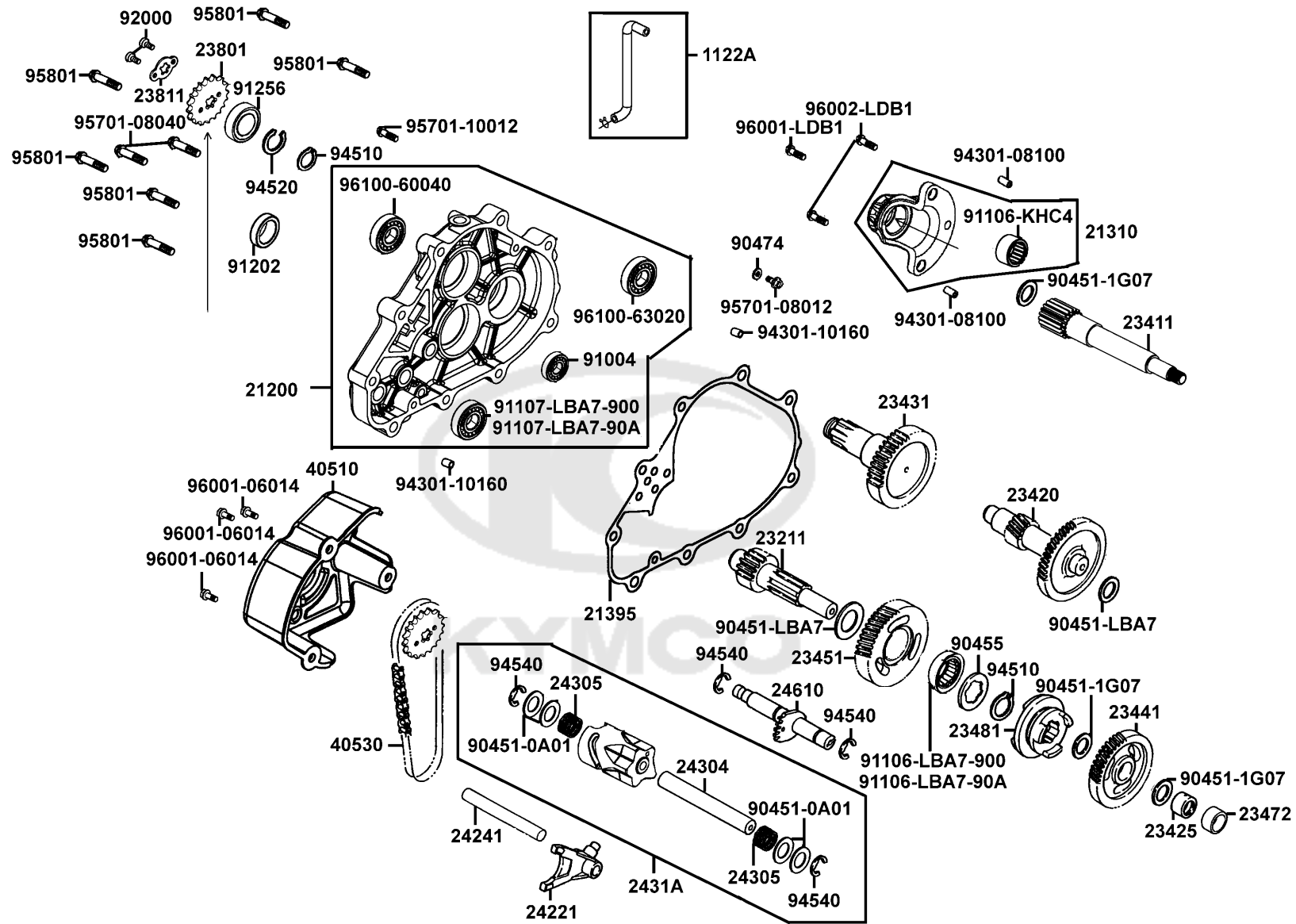


Sales mark 記号	Ref no 参照用番号	Part no パーツ番号	Description 部品名	Reg description 部品名	Regd no 必要個数	Ref Price 希望小売価格(税抜)	E07
91301	91301-KEA5-742	91301-KEA5-742	O-RING 36X1.5	O-RING 36X1.5	1	60	
91302	91302-PKA9-004	91302-PKA9-004	O-RING 39.8*2.2	O-RING 39.8*2.2	1	130	
94050	94050-10080	94050-10080	NUT FLANGE 10MM	NUT FLANGE 10MM	1	60	
94520	94520-24000	94520-24000	CIR CLIP IN 24	CIR CLIP IN 24	1	70	



E08

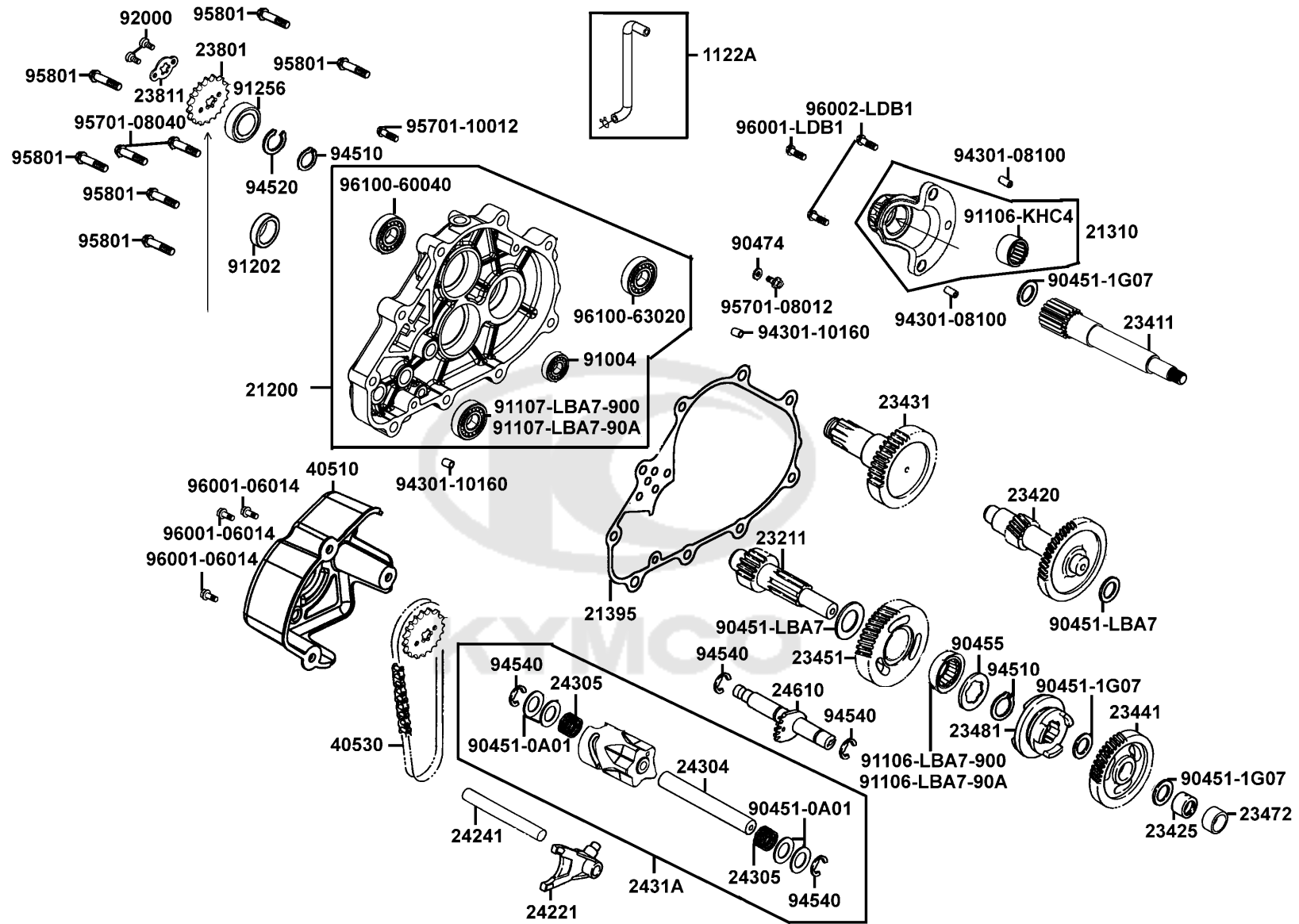
Transmission



Sales mark 記号	Ref no 参照用番号	Part no パーツ番号	Description 部品名	Reg description 部品名	Regd no 必要個数	Ref Price 希望小売価格(税抜)	E08
1122A		1122A-LLB1-900	TUBE ASSY MISSION BREATHER	TUBE ASSY MISSION BREATHER	1	430	
21200		21200-LDB1-305	CASE ASSY MISSION	CASE ASSY MISSION	1	14830	
21310		21310-LDB1-700	BRACKET ASSY DRIVE SHAFT	BRACKET ASSY DRIVE SHAFT	1	4080	
21395		21395-LDB1-700	GASKET MISSION CASE A	GASKET MISSION CASE A	1	600	
23211		23211-LDB1-700	SHAFT MAIN TRANSMISSION	SHAFT MAIN TRANSMISSION	1	3630	
23411		23411-LDB1-700	SHAFT DRIVE	SHAFT DRIVE	1	4680	
23420		23420-LDB1-700	SHAFT COMP COUNTER	SHAFT COMP COUNTER	1	10260	
23425		23425-LLB1-900	BUSH 15MM	BUSH 15MM	1	320	
23431		23431-LDB1-700	SHAFT FINAL	SHAFT FINAL	1	5220	
23441		23441-LDB1-700	GEAR FORWARD	GEAR FORWARD	1	5440	
23451		23451-LDB1-700	GEAR BACKWARD	GEAR BACKWARD	1	5520	
23472		23472-LLB1-900	COLLAR 15*20*11	COLLAR 15*20*11	1	560	
23481		23481-LCA4-E00	SHIFT MAIN	SHIFT MAIN	1	3960	
23801		23801-KFW6-902	SPROKET DRIVE 14T	SPROKET DRIVE 14T	1	3910	
23811		23811-KCR3-601	PLATE A2 FIXING	PLATE A2 FIXING	1	160	
24221		24221-LLB1-900	FORK GEAR SHIFT	FORK GEAR SHIFT	1	4120	
24241		24241-KGB4-C00	SHAFT GEAR SHIFT FORK GUIDE	SHAFT GEAR SHIFT FORK GUIDE	1	340	
24304		24304-LLB1-900	SHAFT DRUM	SHAFT DRUM	1	720	
24305		24305-LLB1-900	SPRING DRUM	SPRING DRUM	2	400	
2431A		2431A-LDB1-700	DRUM COMP GEAR SHIFT	DRUM COMP GEAR SHIFT	1	10750	

E08

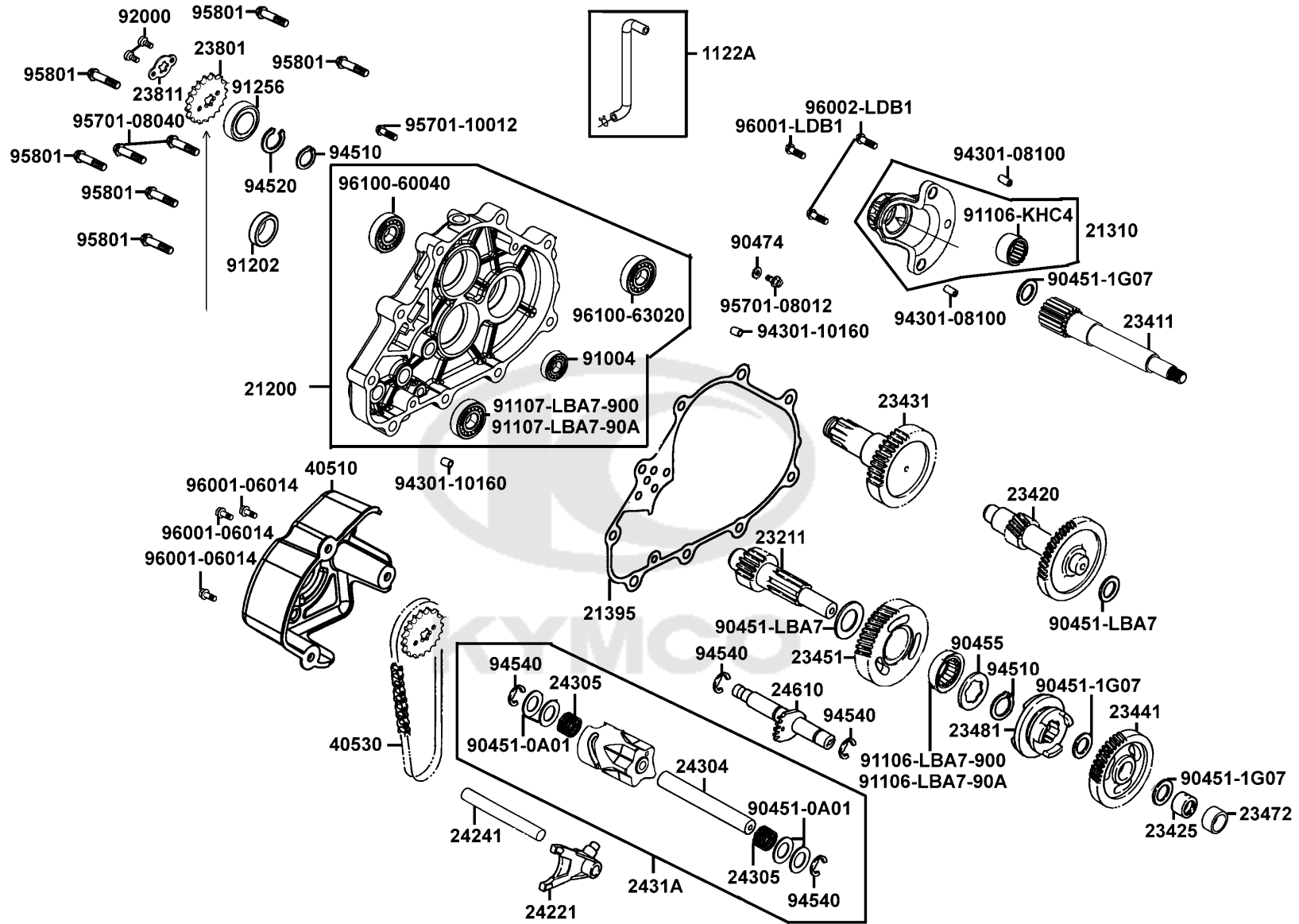
Transmission



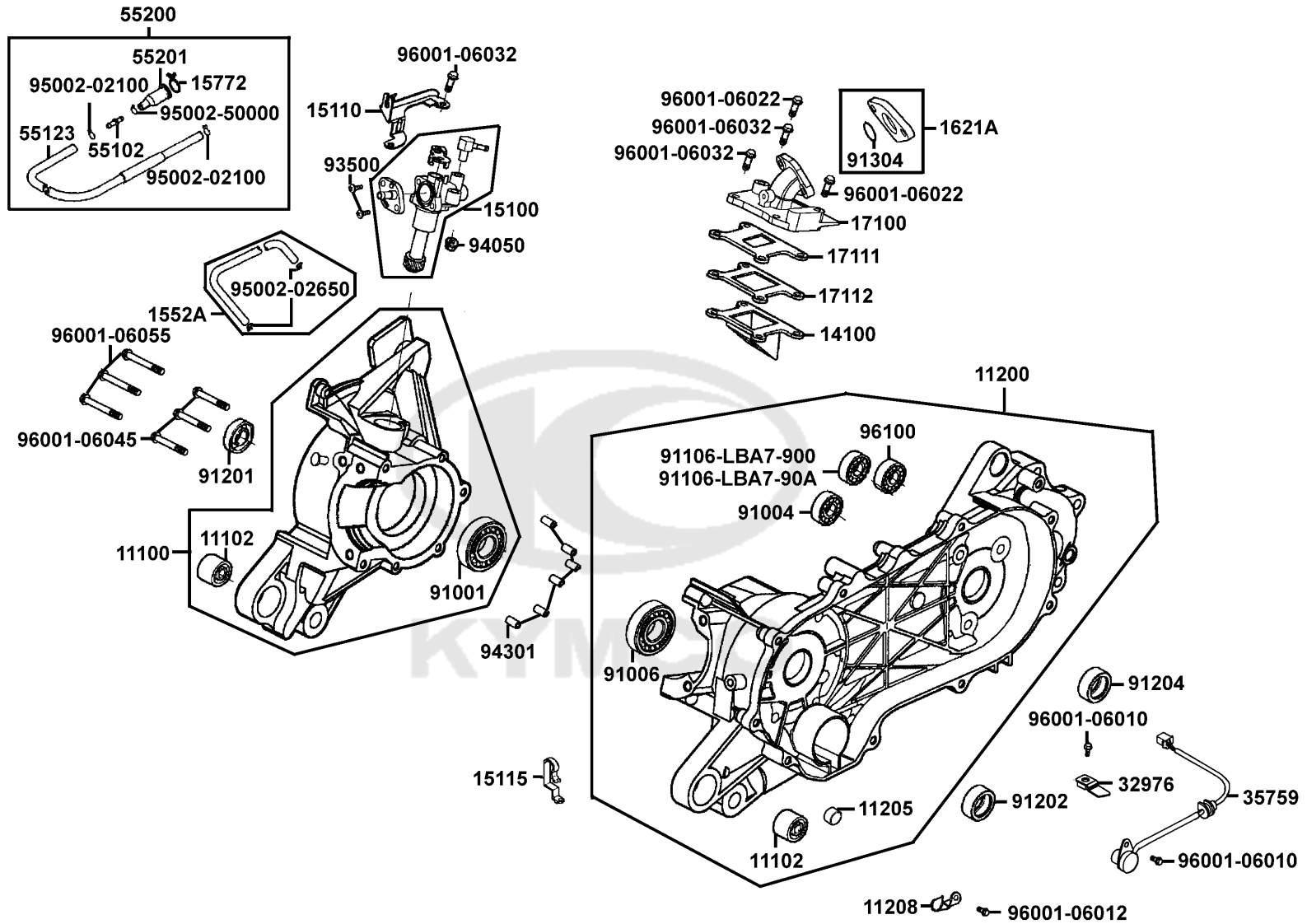
Sales mark 記号	Ref no 参照用番号	Part no パーツ番号	Description 部品名	Reg description 部品名	Regd no 必要個数	Ref Price 希望小売価格(税抜)	E08
24610		24610-LDB1-700	SPINDLE COMP DRUM SHIFT	SPINDLE COMP DRUM SHIFT	1	1400	
40510		40510-PWA7-E00	COVER CHAIN	COVER CHAIN	1	1180	
40530		40530-LDB1-700	CHAIN DRIVE	CHAIN DRIVE	1	16500	
90451-0A01		90451-0A01-001	WASHER THRUST 14M/M	WASHER THRUST 14M/M	2	60	
90451-1G07		90451-1G07-001	WASHER THRUST 15MM	WASHER THRUST 15MM	3	110	
90451-LBA7		90451-LBA7-900	WASHER THRUST 20MM	WASHER THRUST 20MM	2	160	
90455		90455-LDB1-700	WASHER SPLINE 20MM	WASHER SPLINE 20MM	1	90	
90474		90474-3C33-001	WASHER 8MM	WASHER 8MM	1	60	
91004		91004-KBN2-90A	BRG BALL RADIAL 6201	BRG BALL RADIAL 6201	1	2100	
91106-KHC4		91106-KHC4-90A	BRG NEEDLE 15MM	BRG NEEDLE 15MM	1	1060	
91106-LBA7-900		91106-LBA7-900	BRG NEEDLE 20*26*16	BRG NEEDLE 20*26*16	1	1270	
91106-LBA7-90A		91106-LBA7-90A	BRG NEEDLE 20*26*16	BRG NEEDLE 20*26*16	1	1270	
91107-LBA7-900		91107-LBA7-900	BRG NEEDLE 25*33*16 (NK25/16R)	BRG NEEDLE 25*33*16 (NK25/16R)	1	3730	
91107-LBA7-90A		91107-LBA7-90A	BRG NEEDLE 25*33*16	BRG NEEDLE 25*33*16	1	3650	
91202		91202-3B02-001	OIL SEAL 14*24*5	OIL SEAL 14*24*5	1	100	
91256		91256-LDB1-700	OIL SEAL 20X42.2X7	OIL SEAL 20X42.2X7	1	200	
92000		92000-06010-0G	BOLT HEX 6X10	BOLT HEX 6X10	1	200	
94301-08100		94301-08100	DOWEL PIN 8*10	DOWEL PIN 8*10	2	70	
94301-10160		94301-10160	DOWEL PIN 10*16	DOWEL PIN 10*16	2	110	
94510		94510-20000	CIR CLIP EX 20	CIR CLIP EX 20	2	110	

E08

Transmission



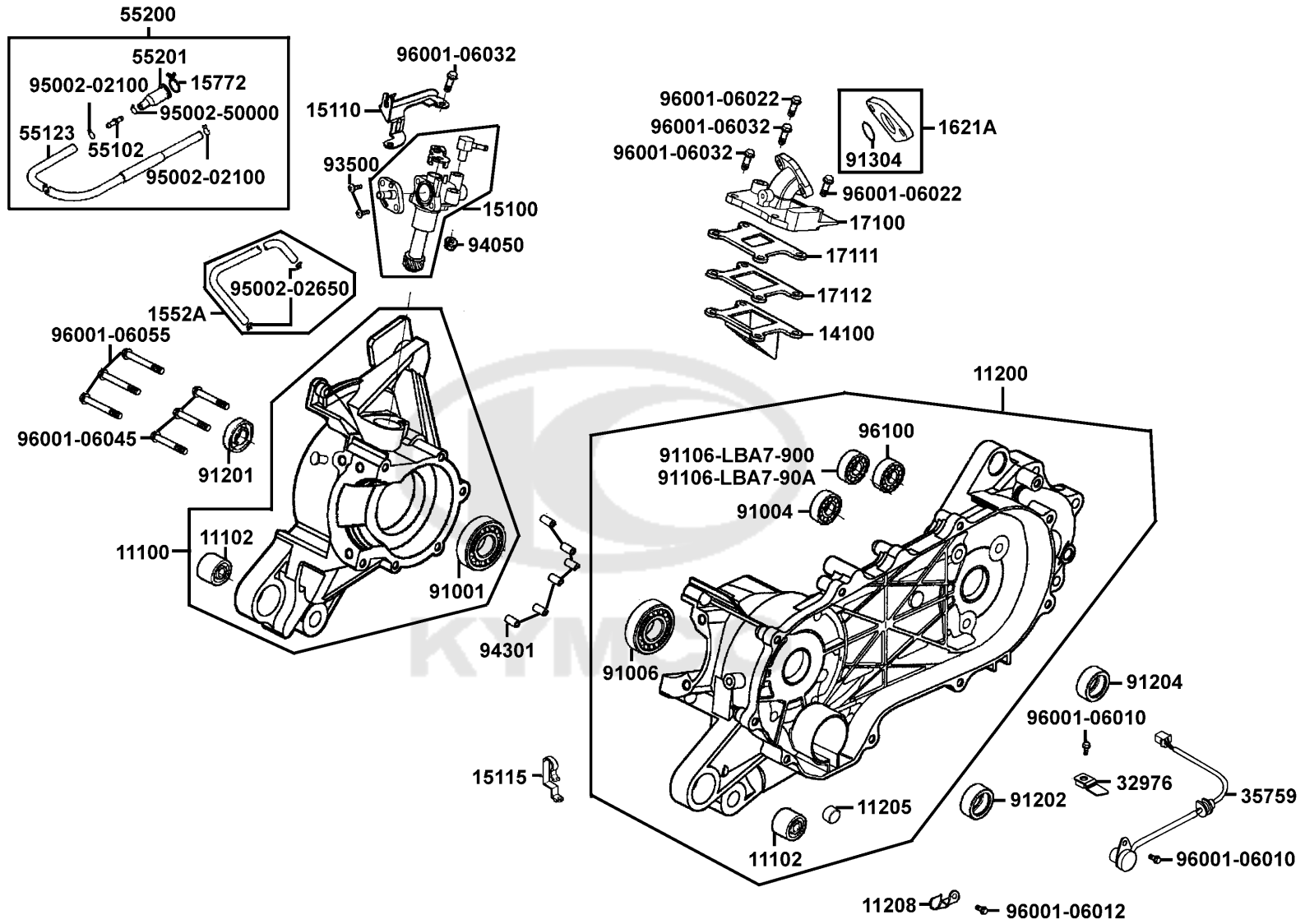
Sales mark 記号	Ref no 参照用番号	Part no パーツ番号	Description 部品名	Reg description 部品名	Regd no 必要個数	Ref Price 希望小売価格(税抜)	E08
94520		94520-LDB5-E00	CIR CLIP IN 42	CIR CLIP IN 42	1	160	
94540		94540-12028	E RING 12	E RING 12	4	110	
95701-08012		95701-08012-06	BOLT FLANGE 6*22 (K)	BOLT FLANGE 6*22 (K)	1	70	
95701-08040		95701-08040-06	BOLT FLANGE 8X40	BOLT FLANGE 6*22 (K)	1	160	
95701-10012		95701-10012-06	BOLT FLANGE 10X12	BOLT FLANGE 10X12	1	320	
95801		95801-08035-06	BOLT FLANGE 8*35	BOLT FLANGE 8*35	1	200	
96001-06014		96001-06014-06	BOLT FLANGE SH 6X14	BOLT FLANGE SH 6*14 (G)	1	60	
96001-LDB1		96001-LDB1-700	BOLT FLANGE SH 6X18	BOLT FLANGE SH 6X18	1	150	
96002		96002-LDB1-700	BOLT FLANGE SH 6X22	BOLT FLANGE SH 6X22	2	60	
96100-60040		96100-60040-00	BEARING BALL RADIAL 6004	BEARING BALL RADIAL 6004	1	1010	
96100-63020		96100-63020-00	BRG BALL RADIAL 6302	BRG BALL RADIAL 6302	1	1150	



Sales mark 記号	Ref no 参照用番号	Part no パーツ番号	Description 部品名	Reg description 部品名	Regd no 必要個数	Ref Price 希望小売価格(税抜)	E09
11100		11100-LDB1-305	CRANK CASE RIGHT	CRANK CASE RIGHT	1	13330	
11102		11102-PWA6-900	RUBBER BUSH ENG HANGER	RUBBER BUSH ENG HANGER	2	390	
11200		11200-LDB1-305	CRANK CASE ASSY L	CRANK CASE ASSY L	1	28100	
11205		11205-GHAH-004	BUSH 8*12*8	BUSH 8*12*8	1	110	
11208		11208-GKAK-901	CLAMPER CARB DRAIN	CLAMPER CARB DRAIN	1	110	
14100		14100-GKAK-921	VALVE COMP REED	VALVE COMP REED	1	2790	
15100		15100-KFA1-900	OIL PUMP ASSY	OIL PUMP ASSY	1	11220	
15110		15110-KNBN-901	PLATE COMP OIL PUMP SET	PLATE COMP OIL PUMP SET	1	580	
15115		15115-KNBN-921	CLAMPER OIL TUBE	CLAMPER OIL TUBE	1	130	
1552A		1552A-KNBN-950	TUBE ASSY OIL PASS	TUBE ASSY OIL PASS	1	400	
15772		15772-5A51-001	CLIP BREATHER TUBE	CLIP BREATHER TUBE	1	160	
1621A		1621A-GKAK-901	INSULATOR CARB ASSY	INSULATOR CARB ASSY	1	390	
17100		17100-LLJ1-900	PIPE COMP INLET	PIPE COMP INLET	1	3050	
17111		17111-LBD3-900	GASKET INLET PIPE A @A	GASKET INLET PIPE A	1	320	
17112		17112-LBD3-900	GASKET INLET PIPE B @A	GASKET INLET PIPE B	1	320	
32976		32976-LDB1-700	CLAMPER WIRE HARNESS	CLAMPER WIRE HARNESS	1	90	
35759		35759-LDB1-700	SW ASS'Y GEAR CHANGE	SW ASS'Y GEAR CHANGE	1	3000	
55102		55102-1F66-001	JOINT OIL TUBE	JOINT OIL TUBE	1	160	
55123		55123-LLJ1-900	TUBE OIL	TUBE OIL	1	390	
55200		55200-LLJ1-900	TUBE ASSY OIL	TUBE ASSY OIL	1	700	

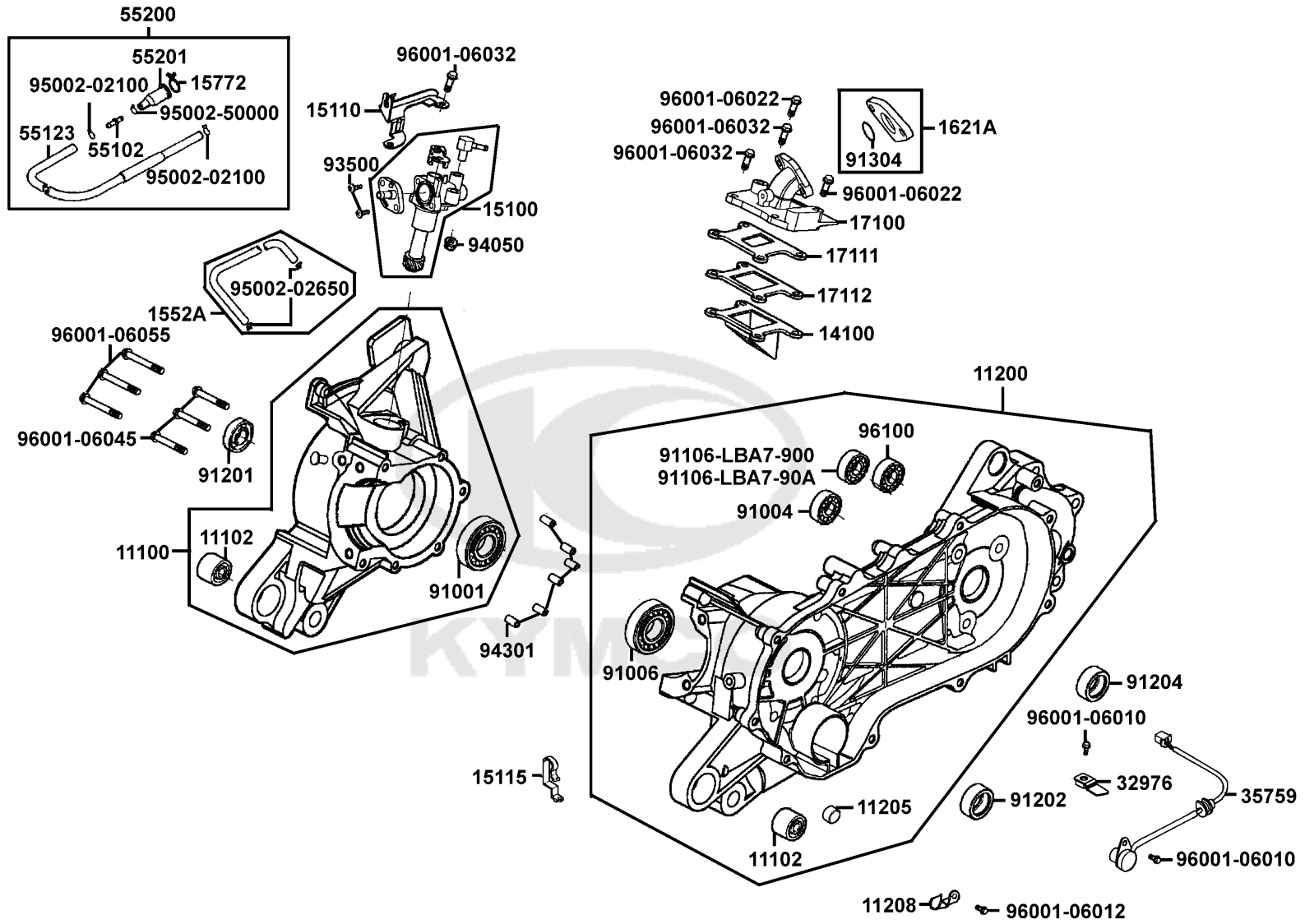
E09

Crankcase Oil Pump



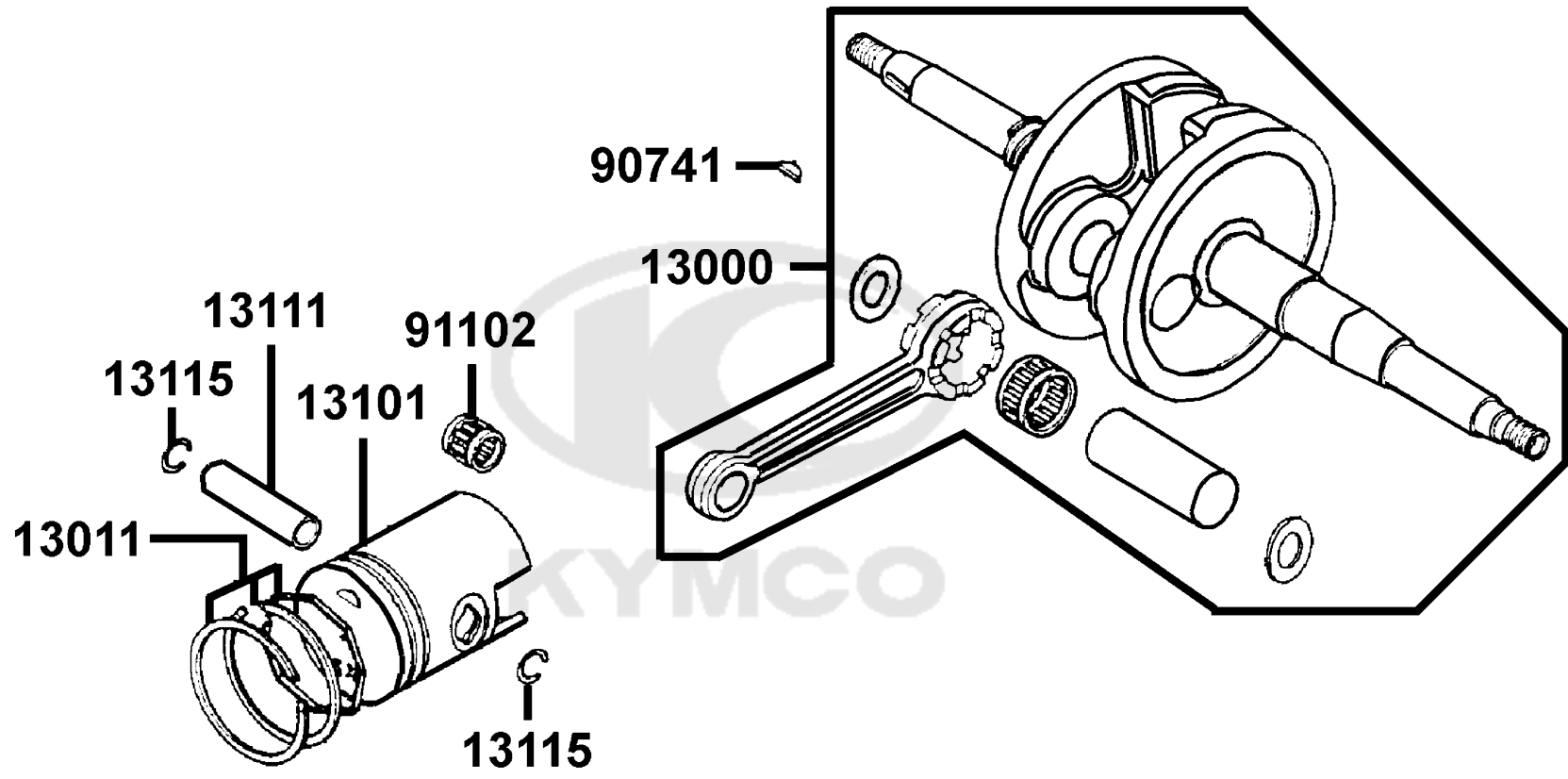
Sales mark 記号	Ref no 参照用番号	Part no パーツ番号	Description 部品名	Reg description 部品名	Regd no 必要個数	Ref Price 希望小売価格(税抜)
55201	55201-GHC8-001	55201-GHC8-001	JOINT OIL STRN	JOINT OIL STRN	1	140
91001	91001-GLW0-90A	91001-GLW0-90A	BRG BALL RADIAL 6204	BRG BALL RADIAL 6204	1	2100
91004	91004-KNBN-92A	91004-KNBN-92A	BRG BALL RADIAL 6203 SPC 17*40*12	BRG BALL RADIAL 6203 SPC 17*40*12	1	2290
91006	91006-KNBN-901	91006-KNBN-901	BRG BALL RADIAL 25*56*12	BRG BALL RADIAL 25*56*12	1	2290
91106-LBA7-900	91106-LBA7-900	91106-LBA7-900	BRG NEEDLE 20*26*16	BRG NEEDLE 20*26*16	1	1270
91106-LBA7-90A	91106-LBA7-90A	91106-LBA7-90A	BRG NEEDLE 20*26*16	BRG NEEDLE 20*26*16	1	1270
91201	91201-KNBN-92A	91201-KNBN-92A	OIL SEAL 15.6*25.5*7	OIL SEAL 15.6*25.5*7	1	710
91202	91202-KNBN-92A	91202-KNBN-92A	OIL SEAL 20*31*7	OIL SEAL 20*31*7	1	680
91204	91204-KNBN-90A	91204-KNBN-90A	OIL SEAL 17*30*6	OIL SEAL 17*30*6	1	610
91304	91304-GLB0-911	91304-GLB0-911	O RING 20,6x1,9	O RING 20,6x1,9	1	60
93500	93500-05012-0F	93500-05012-0F	SCREW PAN 5X12	SCREW PAN 5X12	1	200
94050	94050-06080	94050-06080	NUT FLANGE 6MM	NUT FLANGE 6MM	1	60
94301	94301-10200	94301-10200	DOWEL PIN 10*20	DOWEL PIN 10*20	6	110
95002-02100	95002-02100	95002-02100	CLIP B15 TUBE	CLIP B15 TUBE	2	60
95002-02650	95002-02650	95002-02650	CLIP	CLIP	2	110
95002-50000	95002-50000	95002-50000	CLIP C9 TUBE	CLIP C9 TUBE	1	60
96001-06010	96001-06010-06	96001-06010-06	BOLT FLANGE SH 6*10 (K)	BOLT FLANGE SH 6*10 (K)	1	60
96001-06012	96001-06012-06	96001-06012-06	BOLT FLANGE SH 6*12	BOLT FLANGE SH 6*12	1	60
96001-06022	96001-06022-06	96001-06022-06	BOLT FLANGE SH 6X22	BOLT FLANGE SH 6*22 (G)	1	60
96001-06032	96001-06032-06	96001-06032-06	BOLT FLANGE 6*32	BOLT FLANGE 6*32	1	60


E09

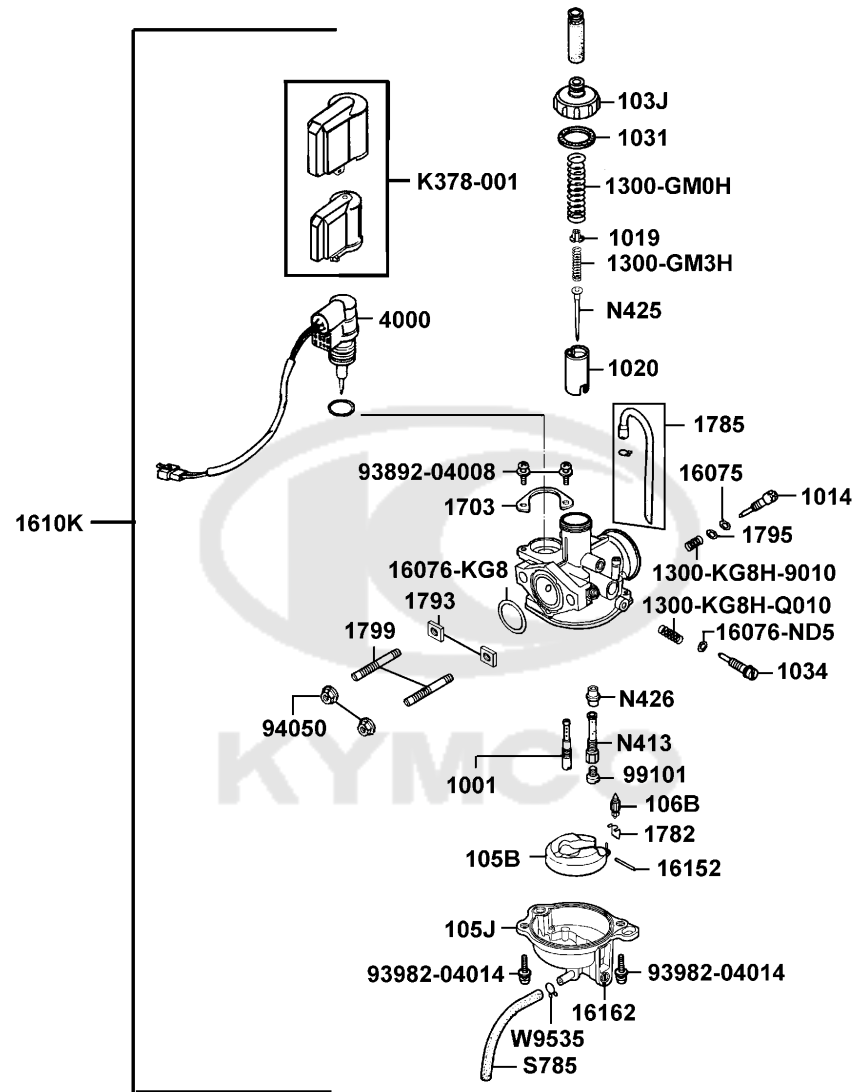


Sales mark 記号	Ref no 参照用番号	Part no パーツ番号	Description 部品名	Reg description 部品名	Regd no 必要個数	Ref Price 希望小売価格(税抜)	E09
96001-06045	96001-06045	96001-06045-06	BOLT FLANGE 6X45	BOLT FLANGE 6X45	1	130	
96001-06055	96001-06055	96001-06055-06	BOLT FLANGE 6X55	BOLT FLANGE 6X55	1	200	
96100	96100-62020-00	96100-62020-00	BEARING BALL RADIAL 6202	BEARING BALL RADIAL 6202	1	770	

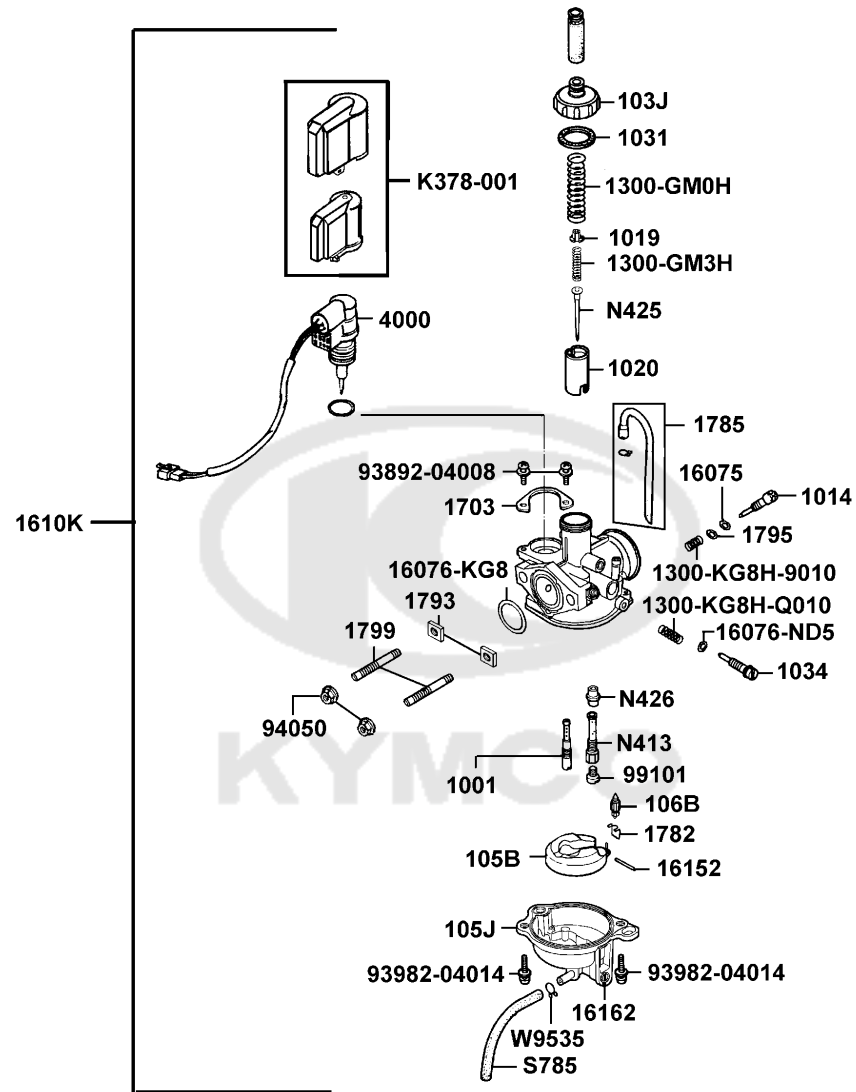




Sales mark 記号	Ref no 参照用番号	Part no パーツ番号	Description 部品名	Reg description 部品名	Regd no 必要個数	Ref Price 希望小売価格(税抜)	E10
13000		13000-LBD3-900	CRANK SHAFT COMP	CRANK SHAFT COMP	1	22180	
13011		13011-GKAK-91A	RING SET PISTON	RING SET PISTON	1	3720	
13101		13101-GKAK-902	PISTON	PISTON	1	2290	
13111		13111-1F66-001	PIN PISTON	PIN PISTON	1	490	
13115		13115-1F56-001	CLIP PISTON PIN 12MM	CLIP PISTON PIN 12MM	2	160	
90741		90741-0E35-001	KEY WOODRUFF	KEY WOODRUFF	1	160	
91102		91102-GLW0-009	BRG CON-ROD S. E.	BRG CON-ROD S. E.	1	1340	
							



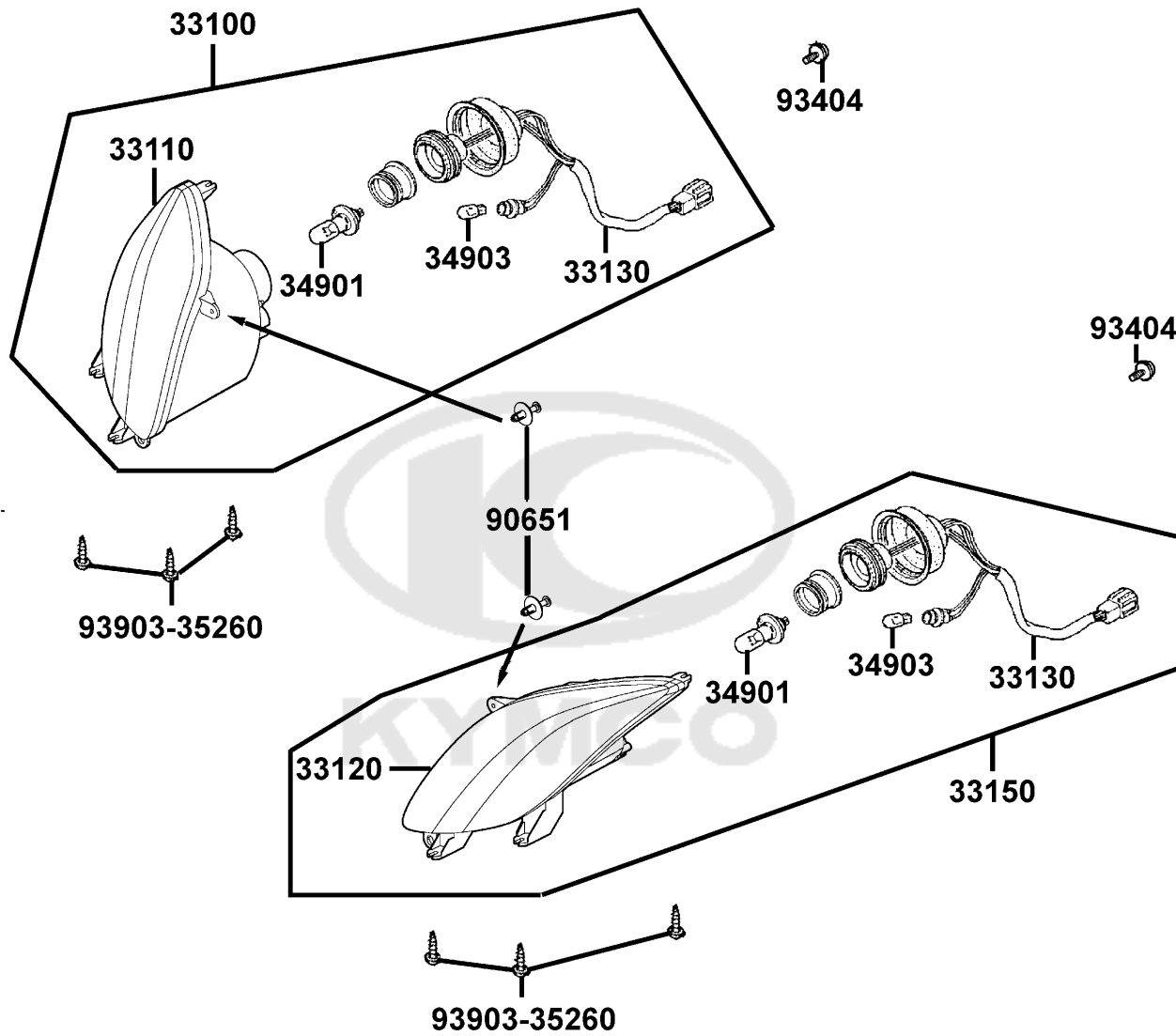
Sales mark 記号	Ref no 参照用番号	Part no パーツ番号	Description 部品名	Reg description 部品名	Regd no 必要個数	Ref Price 希望小売価格(税抜)	E11
1001		1001-GAKH-0381	JET (S.J)	JET (S.J)	1	900	
1014		1014-GAKH-9100	ADJUST SCREW	ADJUST SCREW	1	180	
1019		1019-GW3H-9800	VALVE PLATE	VALVE PLATE	1	60	
1020		1020-GAKH-9300	THROTTLE VALVE	THROTTLE VALVE	1	8040	
1031		1031-181H-8310	TOP GASKET	TOP GASKET	1	130	
1034		1034-153H-9901	STOP SCREW	STOP SCREW	1	140	
103J		103J-073H-9900	TOP COMP	TOP COMP	1	1510	
105B		105B-KBNH-9000	FLOAT COMP	FLOAT COMP	1	3810	
105J		105J-KBNH-9000	FLOAT CHAMBER BODY COMP	FLOAT CHAMBER BODY COMP	1	3200	
106B		106B-KG8H-9804	FLOAT VALVE COMP	FLOAT VALVE COMP	1	1110	
1300-GW0H		1300-GW0H-9000-K	SPG COMPR	SPG COMPR	1	130	
1300-GW3H		1300-GW3H-Q800	SPG COMPR	SPG COMPR	1	60	
1300-KG8H-9010		1300-KG8H-9010	COMPR SPG	COMPR SPG	1	60	
1300-KG8H-Q010		1300-KG8H-Q010	COMPR SPG	COMPR SPG	1	60	
16075		16075-KG8-9010-M1	O-RING	O-RING	1	60	
16076-KG8		16076-KG8-9010-M1	O-RING	O-RING	1	110	
16076-ND5		16076-ND5-0040	O RING	O RING	1	110	
1610K		1610K-LEF7-E00	CARBURETOR ASSY	CARBURETOR ASSY	1	23100	
16152		16152-KG8-9010-M1	ARM PIN	ARM PIN	1	110	
16162		16162-KG8-9010-M1	DRAIN SCREW PAN	DRAIN SCREW PAN	1	300	



Sales mark 記号	Ref no 参照用番号	Part no パーツ番号	Description 部品名	Reg description 部品名	Regd no 必要個数	Ref Price 希望小売価 格(税抜)	E11
1782		1782-KG8H-9010	CLIP	CLIP	1	200	
1785		1785-KBNH-9000-SB0	TUBE SET (A.V)	TUBE SET (A.V)	1	330	
1793		1793-144H-9900	HEX NUT	HEX NUT	2	110	
1795		1795-KG8H-9011-3	WASHER PLAIN	WASHER PLAIN	1	110	
1799		1799-KBNH-9000	STUD BOLT	STUD BOLT	2	330	
4000		4000-080-0000	AUTO BY-STARTER ASSY	AUTO BY-STARTER ASSY	1	11570	
93892-04008		93892-04008-16	SCREW WASHER 4X8	SCREW WASHER 4*8	1	200	
93892-04014		93892-04014-18-3	SCREW WASHER 4*14	SCREW WASHER 4*14	1	60	
94050		94050-06080	NUT FLANGE 6MM	NUT FLANGE 6MM	2	60	
99101		99101-116-0800	MAIN JET #80	MAIN JET #80	1	300	
K378		K378-001	CAP ASSY	CAP ASSY	1	210	
N413		N413-32F00	NEEDLE JET HOLDER	NEEDLE JET HOLDER	1	520	
N425		N425-5YC00	JET NEEDLE COMP	JET NEEDLE COMP	1	2250	
N426		N426-38426	NEEDLE JET	NEEDLE JET	1	2930	
S785		S785-0840	RUBBER PIPE ASSY (F.C.B.)	RUBBER PIPE ASSY (F.C.B.)	1	200	
W9535		W9535-25000	TUBE CLIP	TUBE CLIP	1	60	

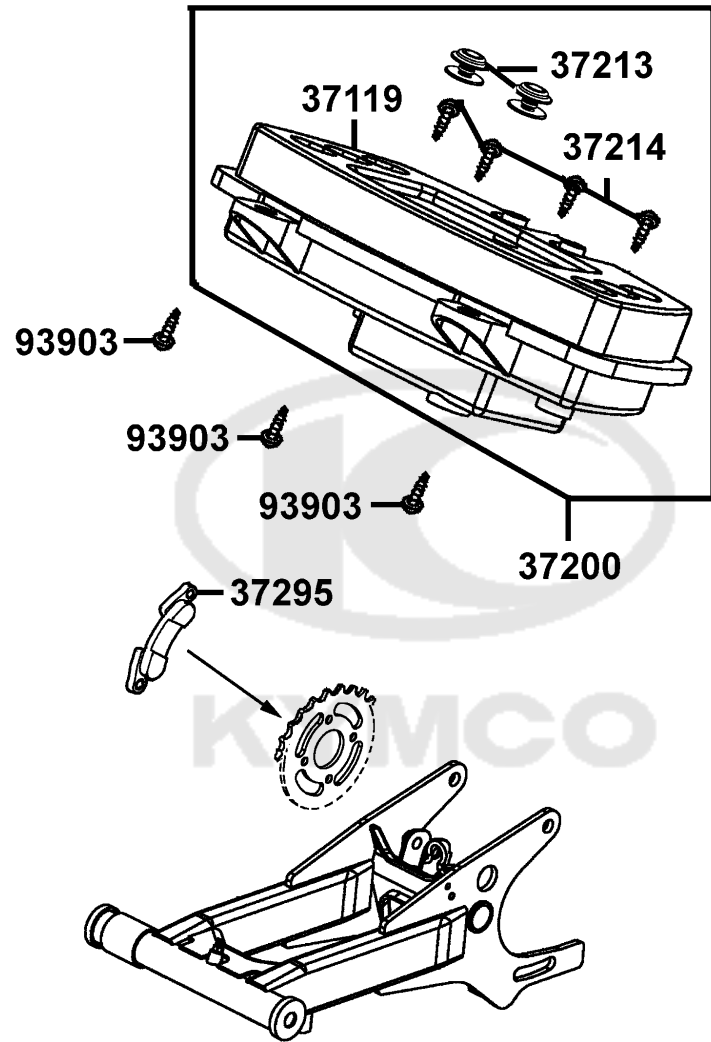
F01

Head Light



Sales mark 記号	Ref no 参照用番号	Part no パーツ番号	Description 部品名	Reg description 部品名	Regd no 必要個数	Ref Price 希望小売価格(税抜)	F01
33100		33100-LCA5-E00		LIGHT ASSY R HEAD	1	14820	
33110		33110-LCA5-E00		UNIT HEAD LIGHT R	1	9980	
33120		33120-LCA5-E00		UNIT HEAD LIGHT L	1	9510	
33130		33130-LCA5-E00		SOCKET COMP	2	1560	
33150		33150-LCA5-E00		LIGHT ASSY L HEAD	1	14820	
34901		34901-KFA6-900	BULB HEAD LIGHT (HSI 12V 35/35W)	BULB HEAD LIGHT	2	4190	
34903		34903-KPCP-900	BULB POSITION LIGHT 12V5W	BULB POSITION LIGHT 12V5W **KCP-9000	2	320	
90651		90651-LCA5-E00	CLIP FENDER	CLIP FENDER	2	100	
93404		93404-06016-06	BOLT WASHER 6*16	BOLT WASHER 6*16	2	70	
93903		93903-35260	SCREW WASHER 4*12	SCREW WASHER 4*12	6	70	



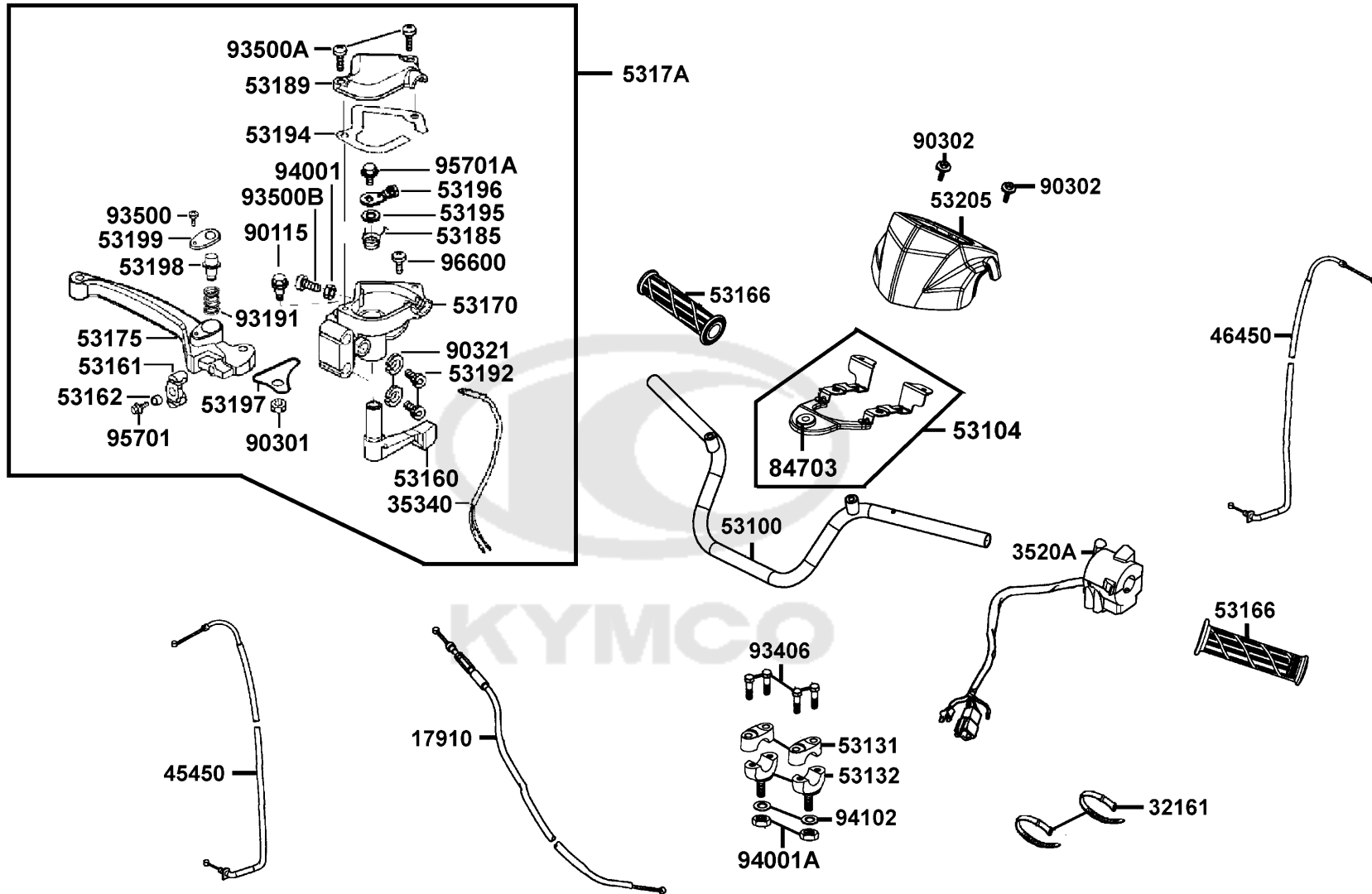


Sales mark 記号	Ref no 参照用番号	Part no パーツ番号	Description 部品名	Reg description 部品名	Regd no 必要個数	Ref Price 希望小売価格(税抜)	F02
37119		37119-LCA5-E0A	LENS (D403)	LENS (D403)	1	720	
37200		37200-LDB1-E0A	METER ASSY SPEED (D403)	METER ASSY SPEED (D403)	1	23460	
37213		37213-LCA5-E00	RUBBER CUSHION	RUBBER CUSHION	2	80	
37214		37214-KGV7-67A	SCREW TAPPING 3*12 (D408)	SCREW TAPPING 3*12 (D408)	4	60	
37295		37295-LLB1-E00	SENSOR MAGNET WHEEL RPM	SENSOR MAGNET WHEEL RPM	1	580	
93903		93903-35260	SCREW WASHER 4*12	SCREW WASHER 4*12	3	70	



F03

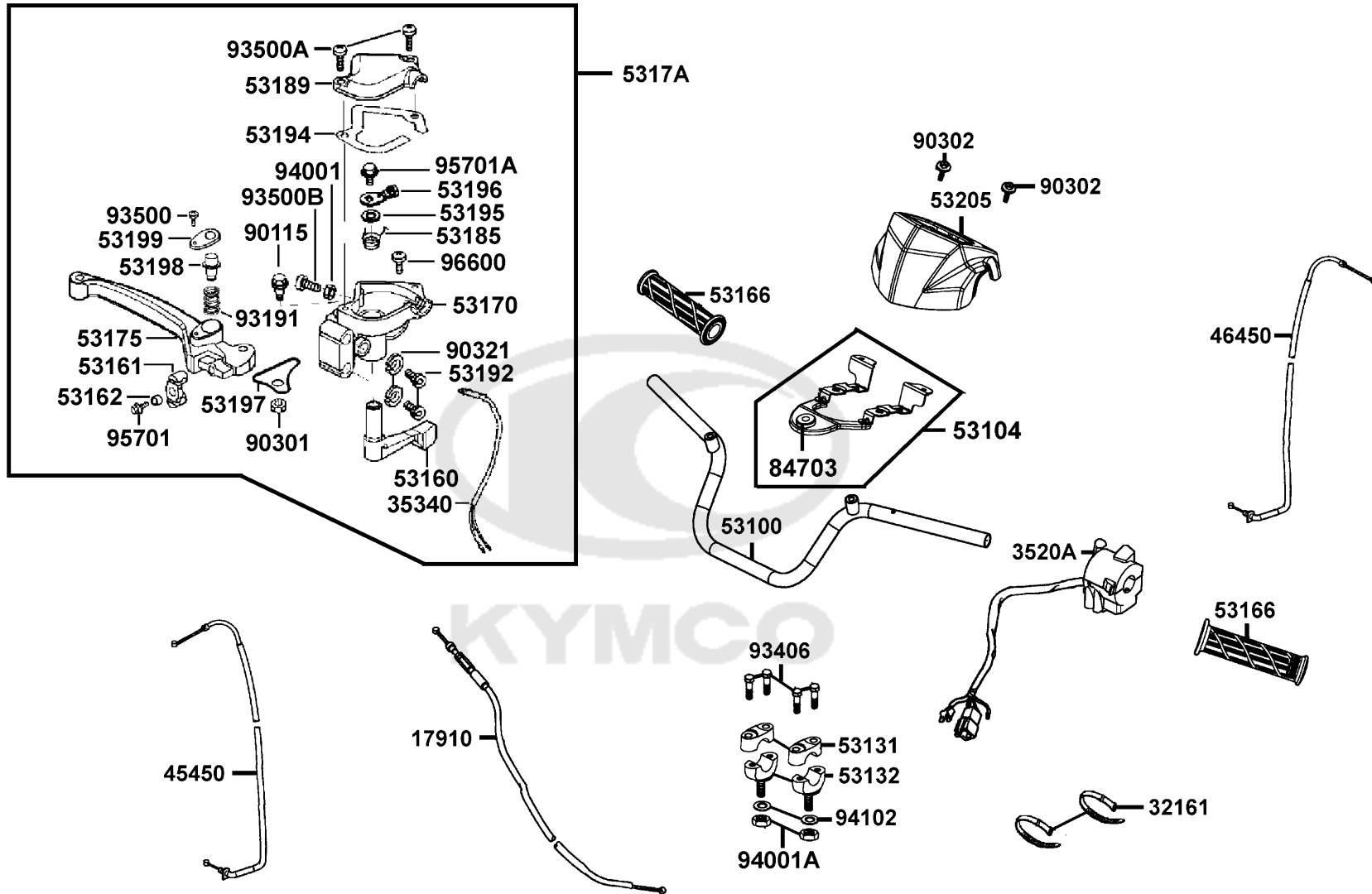
Handle Steering



Sales mark 記号	Ref no 参照用番号	Part no パーツ番号	Description 部品名	Reg description 部品名	Regd no 必要個数	Ref Price 希望小売価格(税抜)	F03
	17910	17910-LDB1-E00	CABLE COMP THROT	CABLE COMP THROT	1	2710	
	32161	32161-4D04-001	BAND BI WIRE	BAND BI WIRE	2	200	
	3520A	3520A-LCA4-EV0	SW ASS Y LH HAND COMP (A.H.C.)	SW ASS Y LH HAND COMP (A.H.C.)	1	9840	
	35340	35340-LLB1-800	SW ASSY FR STOP	SW ASSY FR STOP	1	1060	
	45450	45450-LLB1-900	CABLE COMP FR BRK R	CABLE COMP FR BRK R	1	1370	
	46450	46450-LLB1-900	CABLE COMP FR BRK L	CABLE COMP FR BRK L	1	1440	
	53100	53100-LCA4-E00	HANDLE PIPE STRG	HANDLE PIPE STRG	1	3900	
	53104	53104-LCA4-E00	STAY COMP HANDLE COVER	STAY COMP HANDLE COVER	1	1270	
	53131	53131-4K39-001	HOLDER HANDLE PIPE	HOLDER HANDLE PIPE	2	440	
	53132	53132-LLB1-900	HOLDER UNDER HANDLE PIPE	HOLDER UNDER HANDLE PIPE	2	1910	
	53160	53160-LLB1-800	LEVER CHOKE	LEVER CHOKE	1	830	
	53161	53161-LLB1-800	EQUALIZER BRAKE CABLE	EQUALIZER BRAKE CABLE	1	580	
	53162	53162-LLB1-800	SPACER	SPACER	1	390	
	53166	53166-KEC5-001	GRIP L HANDLE	GRIP L HANDLE	2	490	
	53170	53170-LLB1-800	BRKT HANDLE R	BRKT HANDLE R	1	1580	
**	53175	53175-LLB1-800	LEVER R STRG HANDLE (BLACK)	LEVER R STRG HANDLE (BLACK)	1	1060	
	5317A	5317A-LLB1-810	BRKT ASSY HANDLE R	BRKT ASSY HANDLE R	1	8560	
	53185	53185-LLB1-800	SPPING RETURN	SPPING RETURN	1	490	
	53189	53189-LLB1-800	COVER BRKT R	COVER BRKT R	1	630	
	53192	53192-LLB1-800	BOLT WIRE ADJUST	BOLT WIRE ADJUST	2	390	

F03

Handle Steering

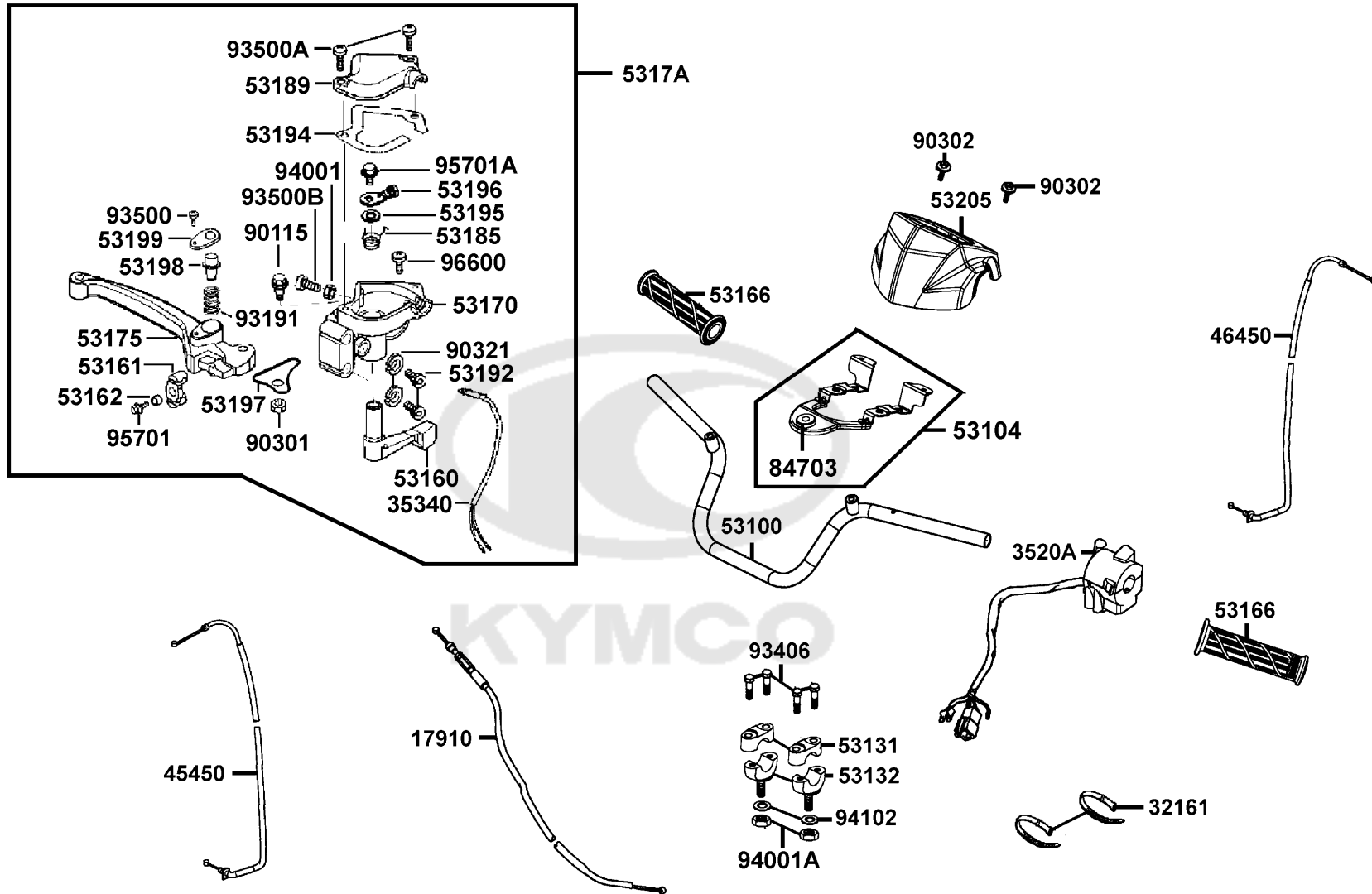


Sales mark 記号	Ref no 参照用番号	Part no パーツ番号	Description 部品名	Reg description 部品名	Regd no 必要個数	Ref Price 希望小売価格(税抜)
53194		53194-LLB1-800	PACKING	PACKING	1	200
53195		53195-LLB1-800	WASHER FLAT	WASHER FLAT	1	490
53196		53196-LLB1-800	PLATE CHOKE	PLATE CHOKE	1	490
53197		53197-LLB1-800	STOPPER PBK	STOPPER PBK	1	390
53198		53198-LLB1-800	BUTTON PBK	BUTTON PBK	1	390
53199		53199-LLB1-800	COVER PBK	COVER PBK	1	390
84703		84703-LLB1-900	RUBBER TAIL LIGHT	RUBBER TAIL LIGHT	1	70
90115		90115-LLB1-800	BOLT HANDLE LEVER PIROT	BOLT HANDLE LEVER PIROT	1	200
90301		90301-LLB1-800	NUT U 6MM	NUT U 6MM	1	110
90302		90302-PWA1-900	BOLT-WASH 5*16	BOLT-WASH 5*16	2	60
90321		90321-LLB1-800	NUT FIXING	NUT FIXING	2	160
93191		93191-LLB1-800	SPG HAND BRAKE	SPG HAND BRAKE	1	490
93406		93406-LLB1-900	BOLT-WASHER 8*35	BOLT-WASHER 8*35	4	70
93500		93500-03008-0G	SCREW PAN 3*8	SCREW PAN 3*8	1	40
93500A		93500-04016-0G	SCREW PAN 4*16	SCREW PAN 4*16	2	60
93500B		93500-05014-0G	SCREW PAN 5*14	SCREW PAN 5*14	1	60
94001		94001-05060-0S	NUT HEX 5MM	NUT HEX 5MM	1	60
94001A		94030-10080	NUT HEX 10MM	NUT HEX 10MM	2	200
94102		94101-10800	WASHER PLAIN 10*22*1.6	WASHER PLAIN 10*22*1.6	2	60
95701		95701-06016-06	BOLT FLANGE 6X16	BOLT FLANGE 6*22 (K)	1	60

F03

F03

Handle Steering



Sales mark 記号	Ref no 参照用番号	Part no パーツ番号	Description 部品名	Reg description 部品名	Regd no 必要個数	Ref Price 希望小売価格(税抜)
------------------	-----------------	------------------	--------------------	------------------------	-----------------	-------------------------

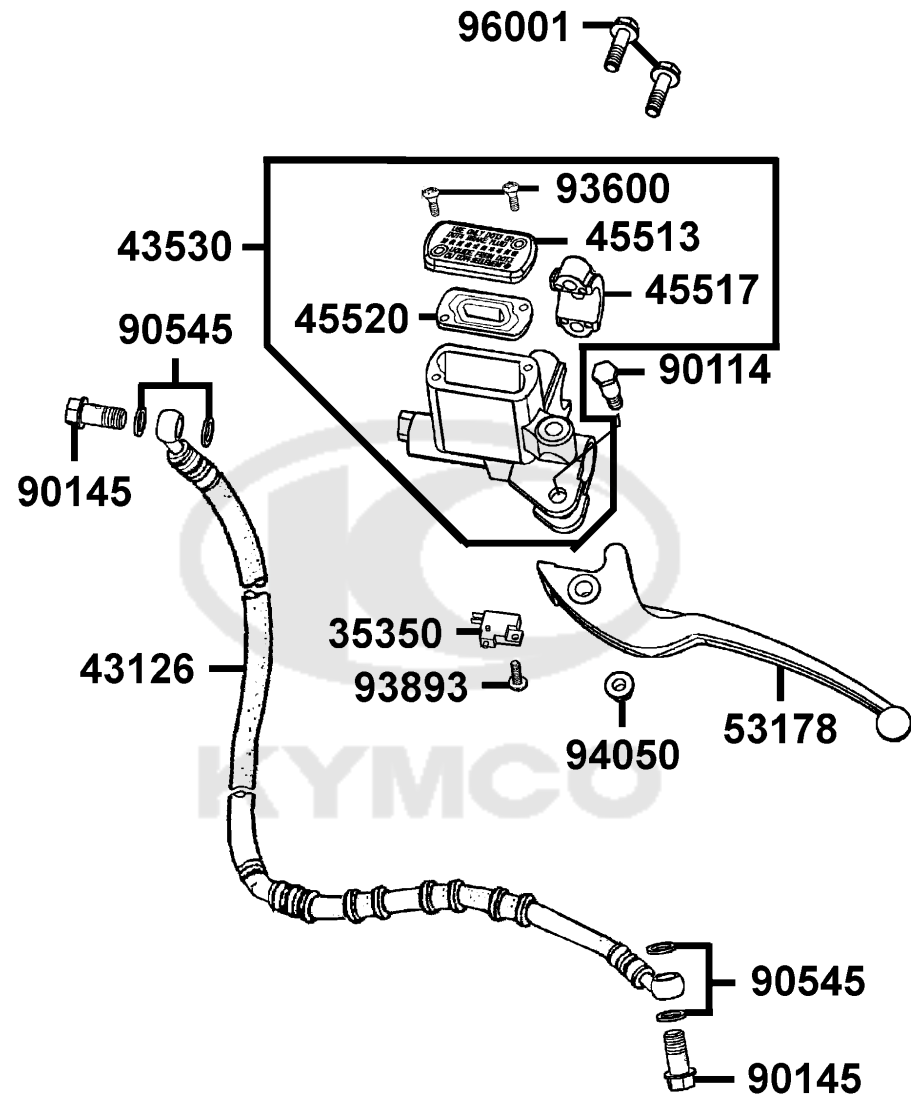
F03

95701A	95701-LLB1-800	SPG HAND BRAKE	SPG HAND BRAKE	1	200
96600	96600-06020-06	SOCKET BOLT 6X20	SOCKET BOLT 6X20	1	200

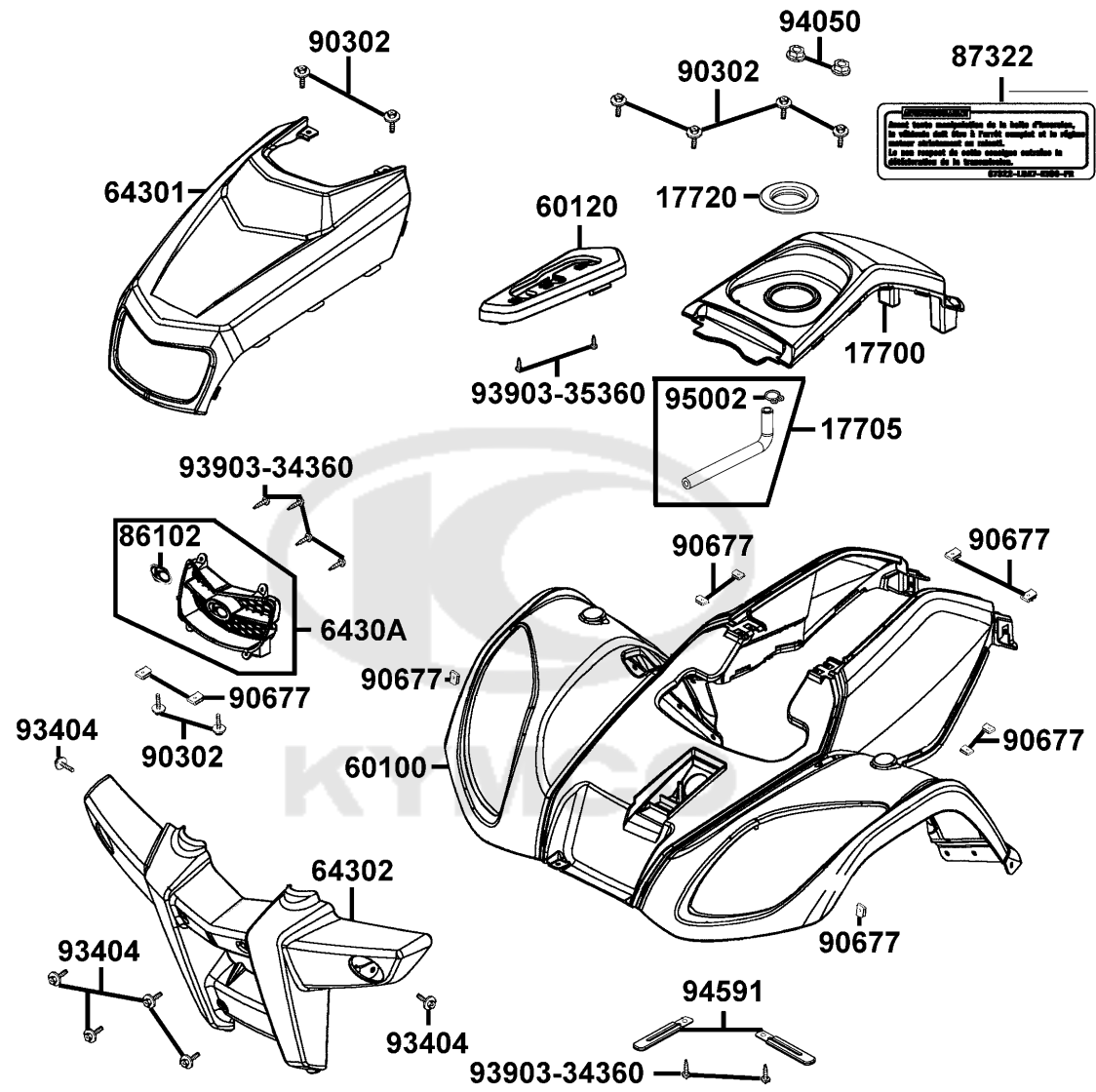


F04

Brake Master Cylinder

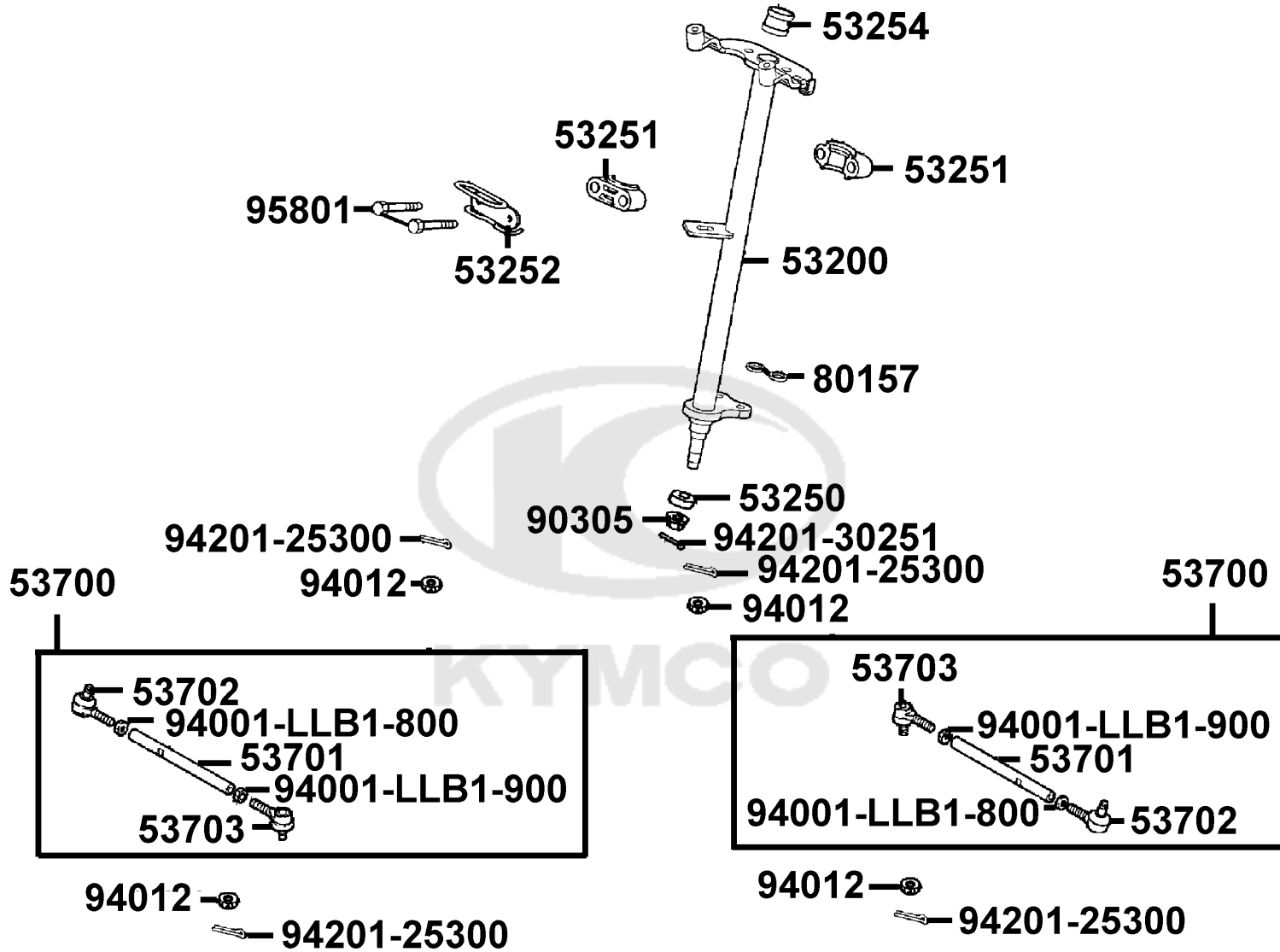


Sales mark 記号	Ref no 参照用番号	Part no パーツ番号	Description 部品名	Reg description 部品名	Regd no 必要個数	Ref Price 希望小売価格(税抜)	F04
	35350	35350-KNBN-901	SW ASSY RR STOP	SW ASSY RR STOP	1	960	
	43126	43126-LDB1-700	HOSE ASSY RR BRAKE	HOSE ASSY RR BRAKE	1	14440	
	43530	43530-PVA2-305	CYLINDER ASSY RR MASTER	CYLINDER ASSY RR MASTER	1	13660	
	45513	45513-GLW0-91A	CAP MASTER CYLINDER	CAP MASTER CYLINDER	1	560	
	45517	45517-KFAF-900	HOLDER M/C	HOLDER M/C	1	440	
	45520	45520-GLW0-91A	DIAPHRAGM	DIAPHRAGM	1	960	
**	53178	53178-KEBE-900	LEVER L STRG HNDL	LEVER L STRG HNDL	1	870	
	90114	90114-1F66-007	BOLT HANDLE LEVER	BOLT HANDLE LEVER	1	60	
	90145	90145-LEA3-E00	OIL BOLT 10x22	OIL BOLT 10x22	1	390	
	90545	90545-3L00-001	WASHER OIL BOLT	WASHER OIL BOLT	4	90	
	93600	93600-04012-1G	SCREW FLAT 4*12	SCREW FLAT 4*12	2	160	
	93893	93893-04012-18	SCREW WASHER 4*12	SCREW WASHER 4*12	1	110	
	94050	94050-06060	NUT FLANGE 6MM	NUT FLANGE 6MM	1	60	
	96001	96001-06022-06	BOLT FLANGE SH 6X22	BOLT FLANGE SH 6*22 (G)	2	60	

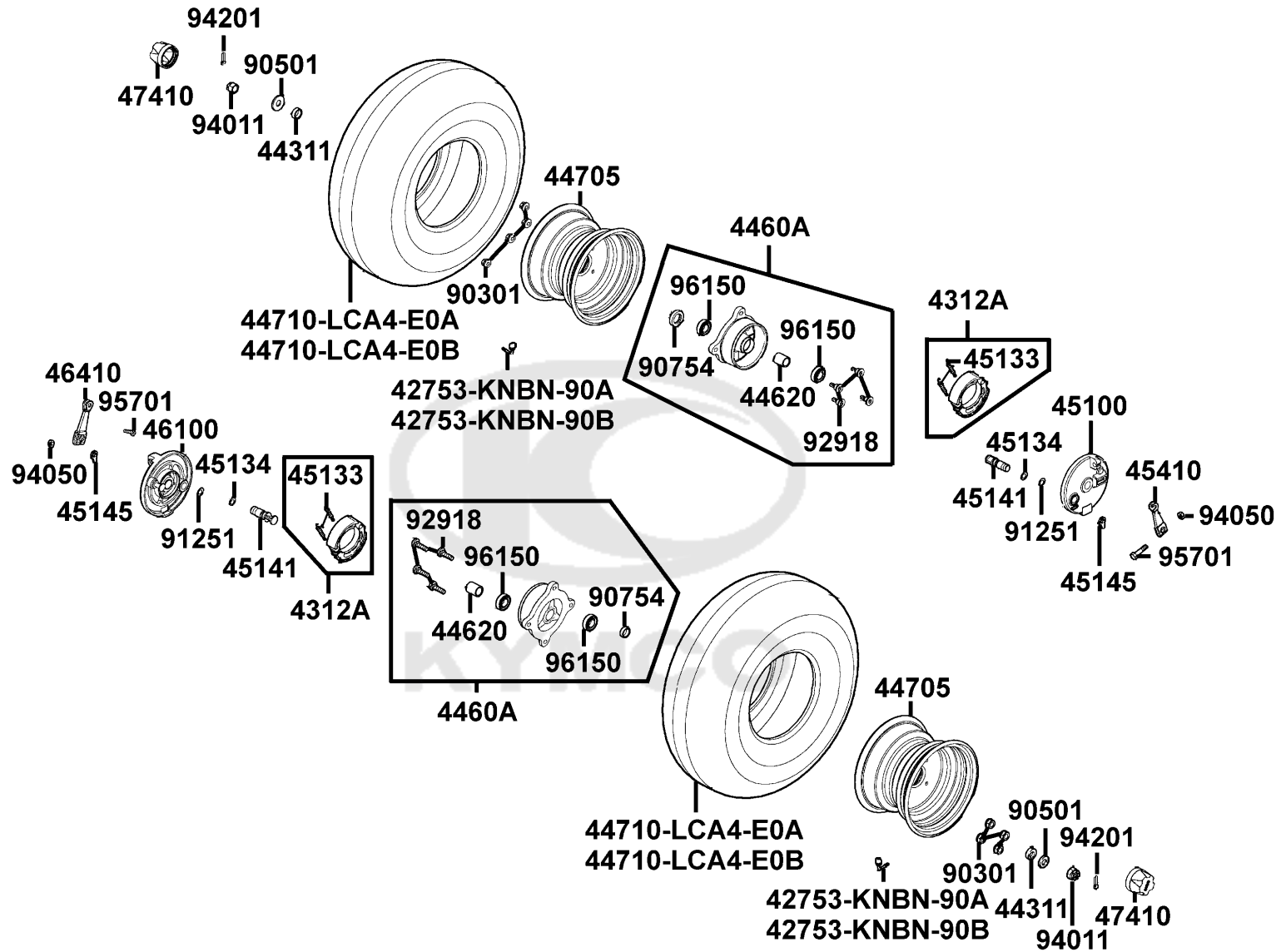


ATTENTION
 Avant toute manipulation de la bague d'orientation,
 la nettoyer dans l'eau à l'aide d'un chiffon et le sécher
 avec soin avant de le monter.
 Le bon respect de cette consigne contribue à
 l'équilibre de la transmission.
 6700-1007-000-FR

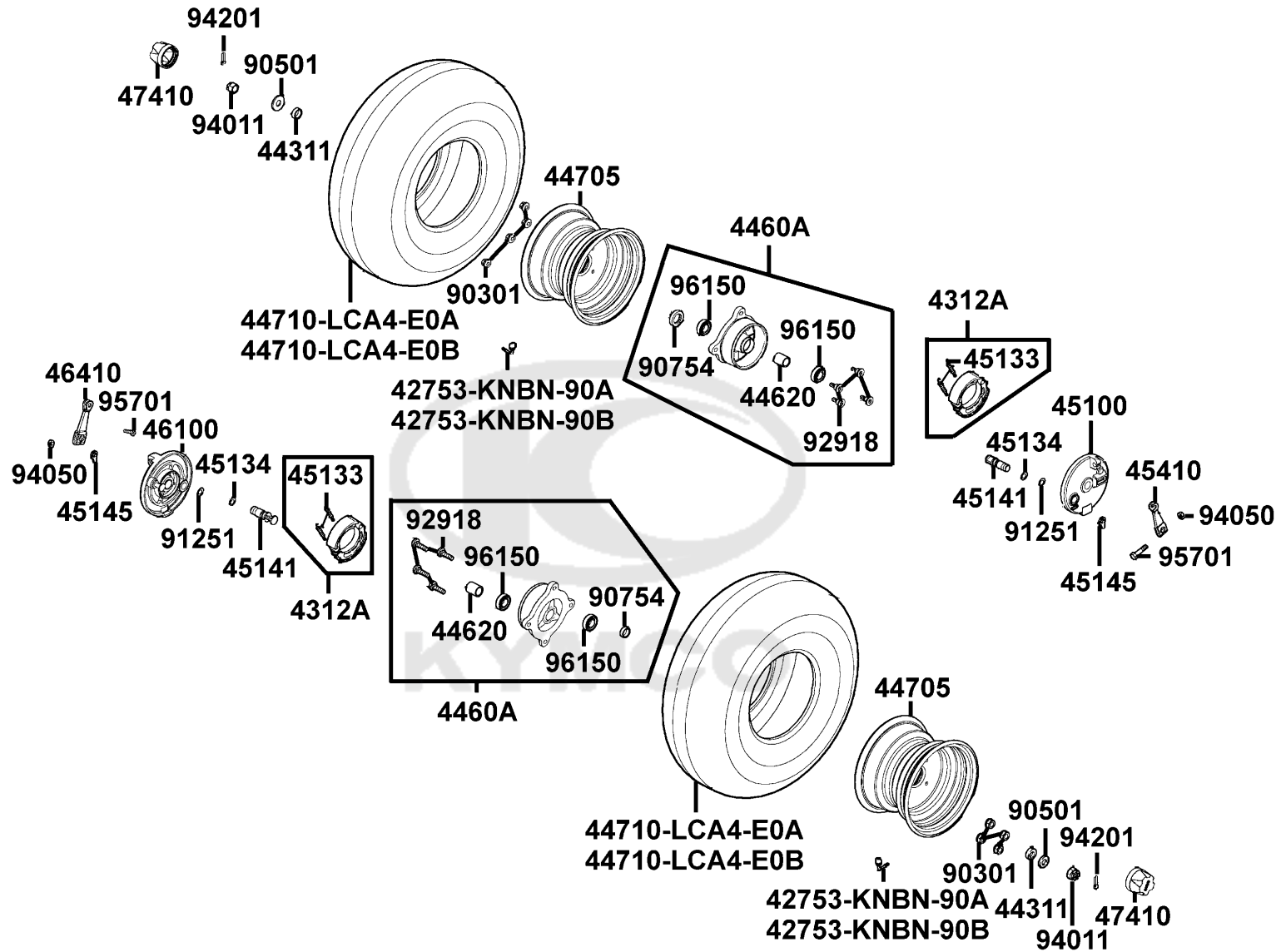
Sales mark 記号	Ref no 参照用番号	Part no パーツ番号	Description 部品名	Reg description 部品名	Regd no 必要個数	Ref Price 希望小売価格(税抜)	F05
**	17700	17700-LCA4-E00	COVER TANK (MAT BLACK)	COVER TANK (MAT BLACK)	1	1110	
	17705	17705-LCA4-E00	TUBE ASSY FUEL DRAIN	TUBE ASSY FUEL DRAIN	1	60	
	17720	17720-LBA7-900	TRAY TANK COVER	TRAY TANK COVER	1	320	
**	60100	60100-LCA4-E00	FENDER FRONT (RED)	FENDER FRONT (RED)	1	8880	
	60120	60120-LDB1-E00	GUIDE COVER CHANGE HANDLE	GUIDE COVER CHANGE HANDLE	1	250	
**	64301	64301-LCA4-E00	COVER FRONT (MAT BLACK)	COVER FRONT (MAT BLACK)	1	1900	
**	64302	64302-LCA5-E01	BUMPER FRONT (MAT BLACK)	BUMPER FRONT (MAT BLACK)	1	2860	
	6430A	6430A-LCA4-E00	GRILLEASSY FR COVER	GRILLEASSY FR COVER	1	1670	
**	86102	86102-KKC4-900	EMB K-LOGO 28.5MM	EMB K-LOGO 28.5MM	1	1530	
**	87322	87322-LBA7-E00	CAUTION SHIFT GEARS	CAUTION SHIFT GEARS	1	320	
	90302	90302-PWA1-900	BOLT-WASH 5*16	BOLT-WASH 5*16	8	60	
	90677	90677-GAR1-004	NUT CLIP 5MM	NUT CLIP 5MM	10	110	
	93404	93404-KKC2-900-06		BOLT-WASH 6X16	6	60	
	93903-34360	93903-34360	SCREW TAPPING 4X12	SCREW WASHER 4*12	6	70	
	93903-35360	93903-35360	SCREW WASHER 4*12	SCREW WASHER 4*12	2	70	
	94050	94050-06080	NUT FLANGE 6MM	NUT FLANGE 6MM	2	60	
	94591	94591-27000	CLIP 2*70	CLIP 2*70	2	110	
	95002	95002-02100	CLIP B15 TUBE	CLIP B15 TUBE	1	60	




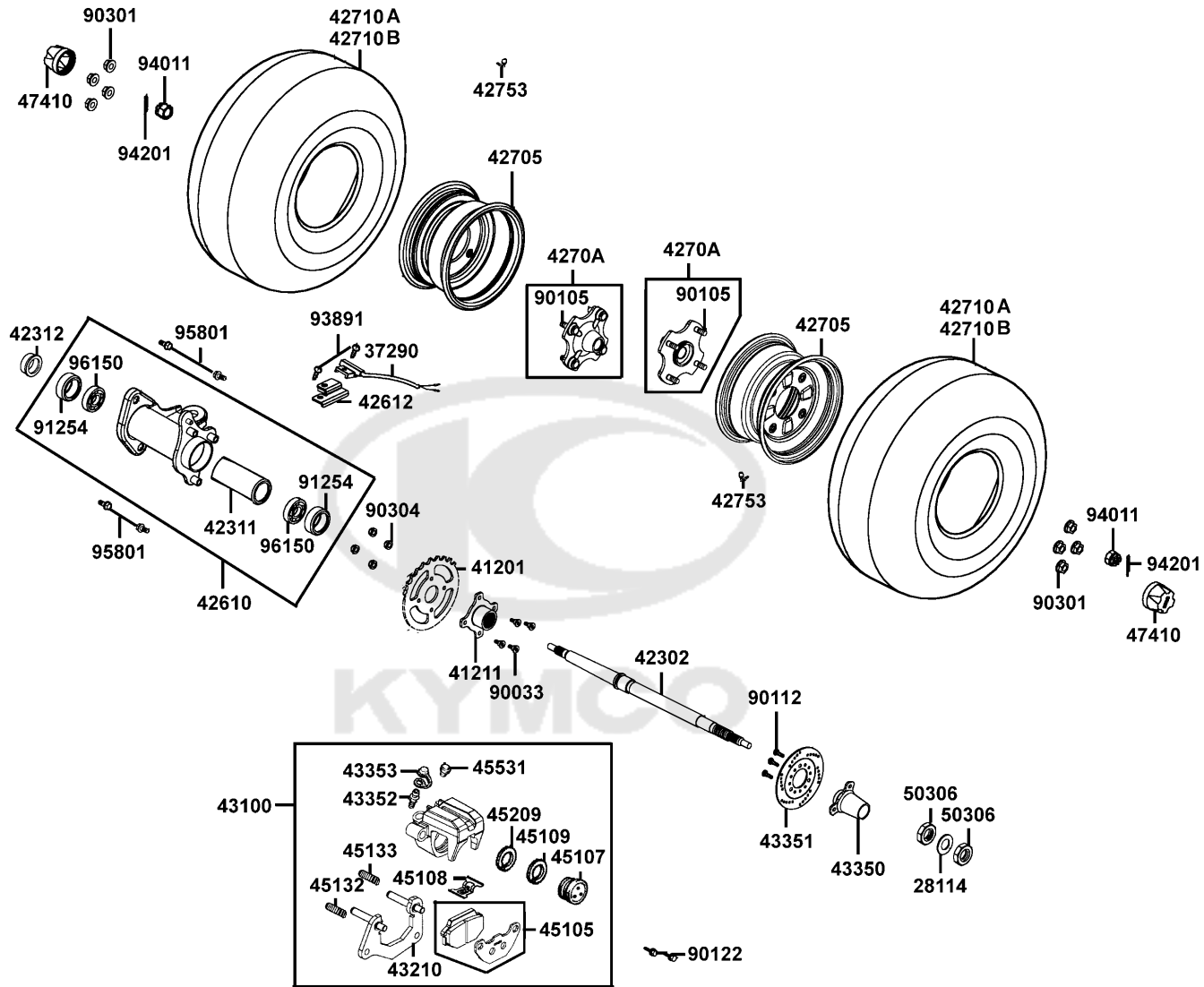
Sales mark 記号	Ref no 参照用番号	Part no パーツ番号	Description 部品名	Reg description 部品名	Regd no 必要個数	Ref Price 希望小売価格(税抜)	F06
53200		53200-LCA4-900	STEM COMP STRG	STEM COMP STRG	1	5550	
53250		53250-LLB1-900	BUSH SWING ARM BOTTOM	BUSH SWING ARM BOTTOM	1	200	
53251		53251-LCA5-E00	HOLDER STEM STEERING	HOLDER STEM STEERING	2	510	
53252		53252-LBA7-900	CLAMPER STEM HOLDER	CLAMPER STEM HOLDER	1	640	
53254		53254-LBA7-900	SLEEVE STEM	SLEEVE STEM	1	320	
53700		53700-LCA4-E00	ROD ASSY STEERING	ROD ASSY STEERING	2	4920	
53701		53701-LCA4-E00	ROD TIE	ROD TIE	2	3170	
53702		53702-LLB1-900	JOINT R BALL ** (6) C.2006.09.07	JOINT R BALL ** (6) C.2006.09.07	2	2220	
53703		53703-LLB1-900	JOINT L BALL ** (6) C.2006.09.07	JOINT L BALL ** (6) C.2006.09.07	2	2220	
80157		80157-KCBC-900	WASHER	WASHER	2	110	
90305		90305-MAA1-004	U NUT FLANGE 14MM	U NUT FLANGE 14MM	1	320	
94001-LLB1-800		94001-LLB1-800	NUT HEX 10MM	NUT HEX 10MM	2	110	
94001-LLB1-900		94001-LLB1-900	NUT HEX 6 MM	NUT HEX 6 MM	2	110	
94012		94012-LLB1-900	NUT CASTLE 10MM	NUT CASTLE 10MM	4	320	
94201-25300		94201-25300	PIN SPLIT 2.5*30	PIN SPLIT 2.5*30	4	60	
94201-30250		94201-30250	PIN SPLIT 3X25	PIN SPLIT 3X25	1	60	
95801		95801-08060-06	BOLT FLANGE 8*60	BOLT FLANGE 8*60	2	230	



Sales mark 記号	Ref no 参照用番号	Part no パーツ番号	Description 部品名	Reg description 部品名	Regd no 必要個数	Ref Price 希望小売価格(税抜)	F07
	42753-KNBN-90B	42753-KNBN-90B	VALAE RIM (TR412)	VALAE RIM (TR412)	3	630	
	4312A	4312A-KXCX-900	SHOE ASSY RR BRK	SHOE ASSY RR BRK	2	1960	
	44311	44311-LLB1-900	COLLAR FR WHEEL SIDE	COLLAR FR WHEEL SIDE	2	200	
	4460A	4460A-LCA4-E00	HUB ASSY FR	HUB ASSY FR	2	7500	
	44620	44620-LLB1-900	COLLAR FR DIST	COLLAR FR DIST	2	390	
**	44705	44705-LCA5-E00		RIM COMP FR WHEEL	2	8910	
	44710-LCA4-E0A	44710-LCA4-E0A	TIRE ASSY FR	TIRE ASSY FR	2	23910	
	44710-LCA4-E0B	44710-LCA4-E0B	TIRE ASSY FR	TIRE ASSY FR	2	29120	
**	45100	45100-LLB1-900	PANEL COMP FR RH	PANEL COMP FR RH	1	2960	
	45133	45133-0H28-001	SPRING BRAKE SHOE	SPRING BRAKE SHOE	4	160	
	45134	45134-2L50-001	BRAKE CAM DUST SEAL	BRAKE CAM DUST SEAL	2	60	
	45141	45141-LLB1-900	CAM FR BRAKE	CAM FR BRAKE	2	770	
	45145	45145-LLB1-900	INDICATOR FR BRK	INDICATOR FR BRK	2	70	
	45410	45410-LLB1-900	ARM FR BRK RH	ARM FR BRK RH	1	510	
**	46100	46100-LLB1-900	PANEL COMP FR LH	PANEL COMP FR LH	1	2960	
	46410	46410-LLB1-900	ARM FR BRK LH	ARM FR BRK LH	1	510	
	47410	47410-LCA5-E00		CAP WHEEL SHAFT	2	260	
	90301	90301-LBA7-900	NUT WHEEL M10	NUT WHEEL M10	8	180	
	90501	90501-LCA4-E00	WASHER 14MM	WASHER 14MM	2	200	
	90754	90754-LLB1-900	DUST SEAL 22*35*7	DUST SEAL 22*35*7	2	200	

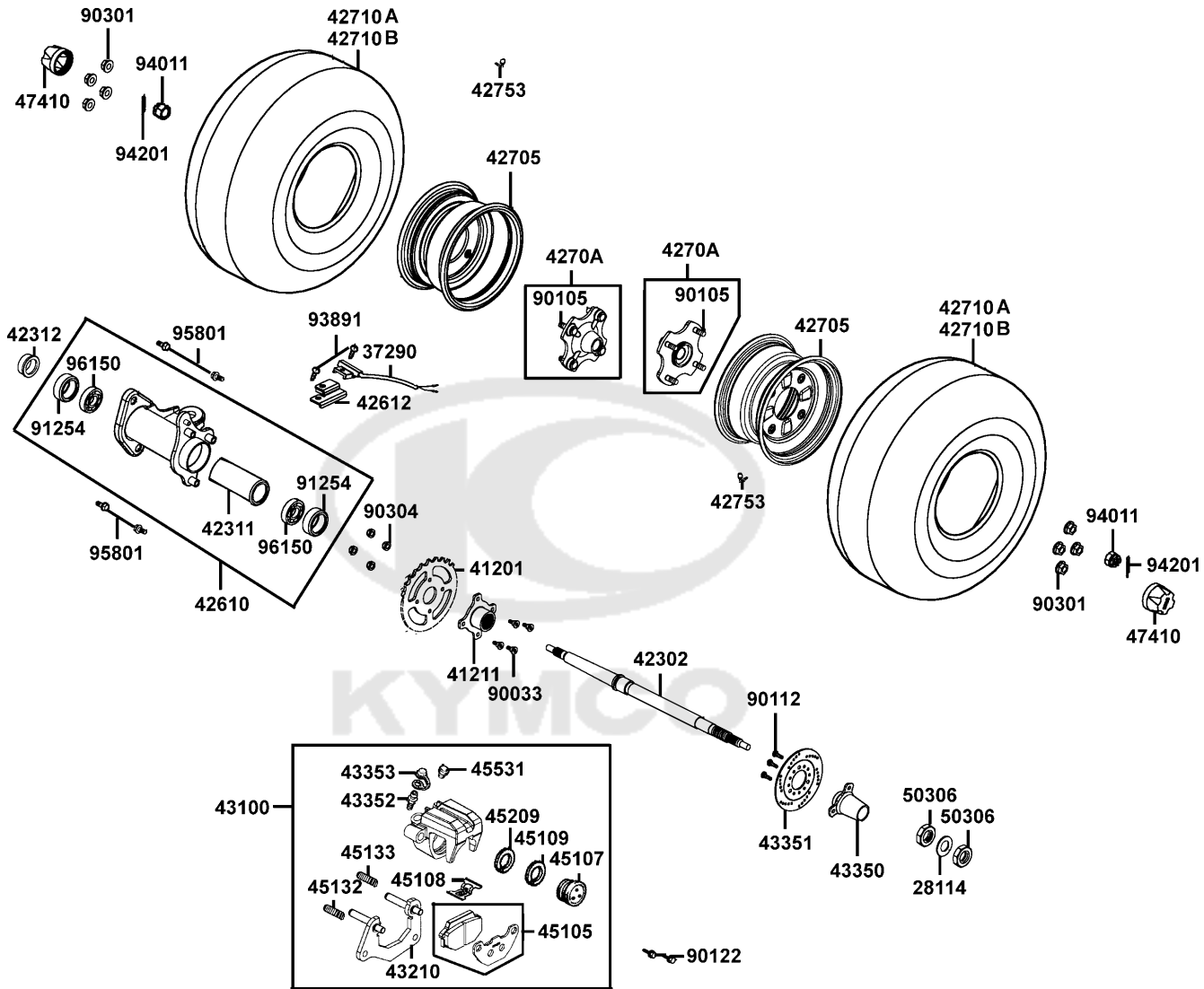


Sales mark 記号	Ref no 参照用番号	Part no パーツ番号	Description 部品名	Reg description 部品名	Regd no 必要個数	Ref Price 希望小売価格(税抜)	F07
91251		91251-GHC8-004	SEAL OIL 41*51*5	SEAL OIL 41*51*5	2	130	
92918		92918-LCA4-E00	BOLT STUD II 10*21	BOLT STUD II 10*21	8	230	
94011		94011-LLB1-900	NUT FLANGE CASTLE 14MM	NUT FLANGE CASTLE 14MM	2	510	
94050		94050-06080	NUT FLANGE 6MM	NUT FLANGE 6MM	2	60	
94201		94201-30300	PIN SPLIT 3*30	PIN SPLIT 3*30	2	60	
95701		95701-06028-06	BOLT FLANGE 6X28	BOLT FLANGE 6X28	1	200	
96150		96150-60030-10	BEARING BALL RADIAL 6003	BEARING BALL RADIAL 6003	4	1630	
							



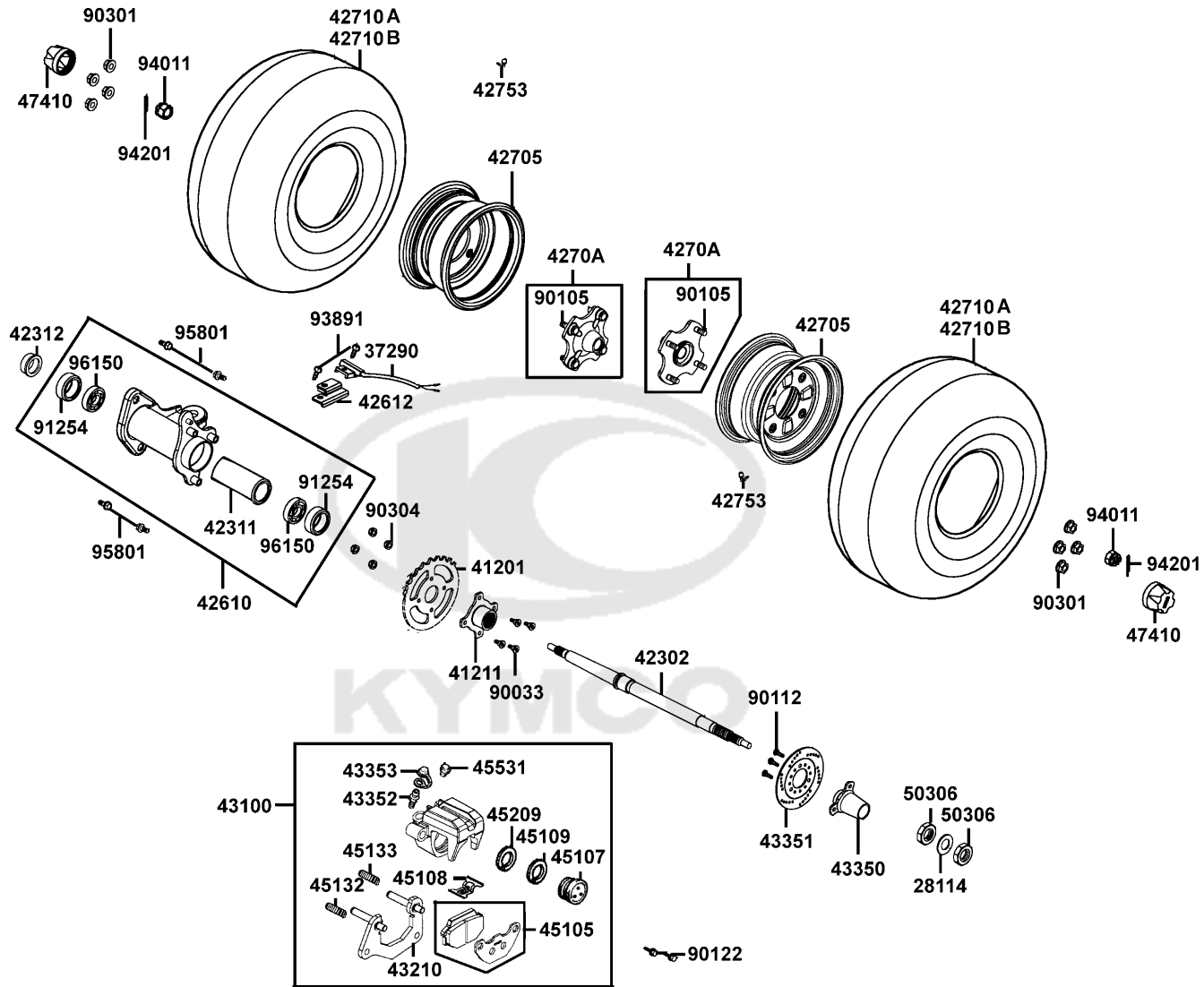
Sales mark 記号	Ref no 参照用番号	Part no パーツ番号	Description 部品名	Reg description 部品名	Regd no 必要個数	Ref Price 希望小売価格(税抜)
	28114	28114-GAE1-94A	DISK SPRING	DISK SPRING	1	240
	37290	37290-LLB1-E00	SENSOR WHEEL RPM	SENSOR WHEEL RPM	1	1150
	41201	41201-LLB1-E00	SPRKT FINAL DRIVEN	SPRKT FINAL DRIVEN	1	3650
	41211	41211-LLB1-900	HOLDER SPROCKET	HOLDER SPROCKET	1	3240
	42302	42302-LDB1-700	SHAFT RR WHEEL	SHAFT RR WHEEL	1	23960
	42311	42311-LLB1-900	COLLAR RR HUB	COLLAR RR HUB	1	1160
	42312	42312-LDB1-700	COLLAR RR HUB SIDE	COLLAR RR HUB SIDE	1	910
**	42610	42610-LLJ1-E01	HUB ASSY RR	HUB ASSY RR	1	19080
	42612	42612-LDB1-700	STAY SPEED SENSOR	STAY SPEED SENSOR	1	190
**	42705	42705-LCA5-E00		RIM COMP RR WHEEL	2	10500
	4270A	4270A-LCA5-E00		CONNECTOR ASSY RR	2	5550
	42710A	42710-LCA4-E0A	TIRE ASSY RR AT22*10-10 4P TL	TIRE ASSY RR AT22*10-10 4P TL	2	30000
	42710B	42710-LCA4-E0B	TIRE ASSY RR	TIRE ASSY RR	2	42030
	42753	42753-KNBN-90B	VALAE RIM (TR412)	VALAE RIM (TR412)	3	630
**	43100	43100-LLB1-800	CALIPER ASSY RR	CALIPER ASSY RR	1	18440
	43210	43210-LLB1-305	BRACKET RR	BRACKET RR	1	1820
	43350	43350-LLB1-800	BRACKET BRAKE DISK	BRACKET BRAKE DISK	1	5710
	43351	43351-KEBE-900	DISK RR BRAKE	DISK RR BRAKE	1	8320
	43352	43352-5H68-004	SCREW BLEEDER	SCREW BLEEDER	1	300
	43353	43353-4A61-77A	CAP BLEEDER	CAP BLEEDER	1	130

F08



Sales mark 記号	Ref no 参照用番号	Part no パーツ番号	Description 部品名	Reg description 部品名	Regd no 必要個数	Ref Price 希望小売価格(税抜)
45105	45105-KFA6-305	PAD ASSY (A+B)	PAD ASSY (A+B)	PAD ASSY (A+B)	1	3240
45107	45107-KFA6-900	PISTON	PISTON	PISTON	1	770
45108	45108-KFA6-900	SPRING PAD	SPRING PAD	SPRING PAD	1	200
45109	45109-KFA6-900	DUST SEAL	DUST SEAL	DUST SEAL	1	110
45132	45132-KFA6-900	BUSH BOOT PIN	BUSH BOOT PIN	BUSH BOOT PIN	1	780
45133	45133-KFA6-900	BOOT B	BOOT B	BOOT B	1	230
45209	45209-KFA6-900	SEAL PISTON	SEAL PISTON	SEAL PISTON	1	610
45531	45531-GAR1-951	PLUG	PLUG	PLUG	1	110
47410	47410-LCA5-E00	CAP WHEEL SHAFT	CAP WHEEL SHAFT	CAP WHEEL SHAFT	2	260
50306	50306-LLB1-900	NUT RR SHAFT	NUT RR SHAFT	NUT RR SHAFT	2	870
90033	90033-LLB1-900	BOLT STUD 10*20	BOLT STUD 10*20	BOLT STUD 10*20	4	160
90105	90105-LBA7-900	BOLT CONNECTOR	BOLT CONNECTOR	BOLT CONNECTOR	4	220
90112	90112-LBD4-800	BOLT DISK	BOLT DISK	BOLT DISK	3	240
90122	90122-LLB1-800	BOLT FLANGE 8*28	BOLT FLANGE 8*28	BOLT FLANGE 8*28	2	200
90301	90301-LBA7-900	NUT WHEEL M10	NUT WHEEL M10	NUT WHEEL M10	8	180
90304	90304-GLW0-90A	NUT CAP 6MM	NUT CAP 6MM	NUT CAP 6MM	4	200
91254	91254-LLB1-900	SEAL DUST	SEAL DUST	SEAL DUST	2	390
93891	93891-05012-06	SCREW WASHER 5*12	SCREW WASHER 5*12	SCREW WASHER 5*12	2	60
94011	94011-LBA7-900	NUT FLANGE CASTLE 16MM	NUT FLANGE CASTLE 16MM	NUT FLANGE CASTLE 16MM	2	720
94201	94201-30300	PIN SPLIT 3*30	PIN SPLIT 3*30	PIN SPLIT 3*30	2	60

F08



Sales mark 記号	Ref no 参照用番号	Part no パーツ番号	Description 部品名	Reg description 部品名	Regd no 必要個数	Ref Price 希望小売価格(税抜)
------------------	-----------------	------------------	--------------------	------------------------	-----------------	-------------------------

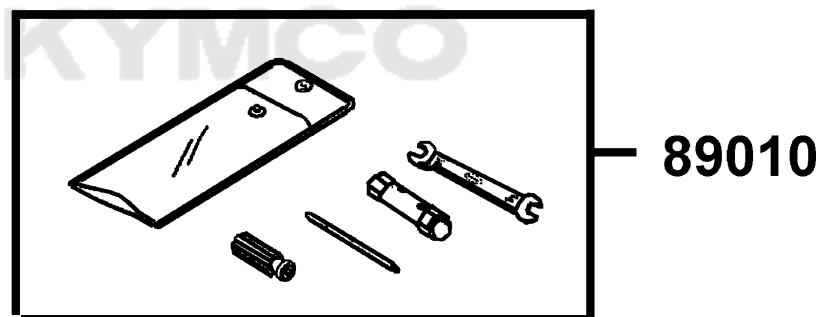
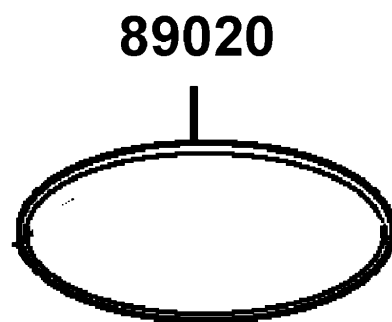
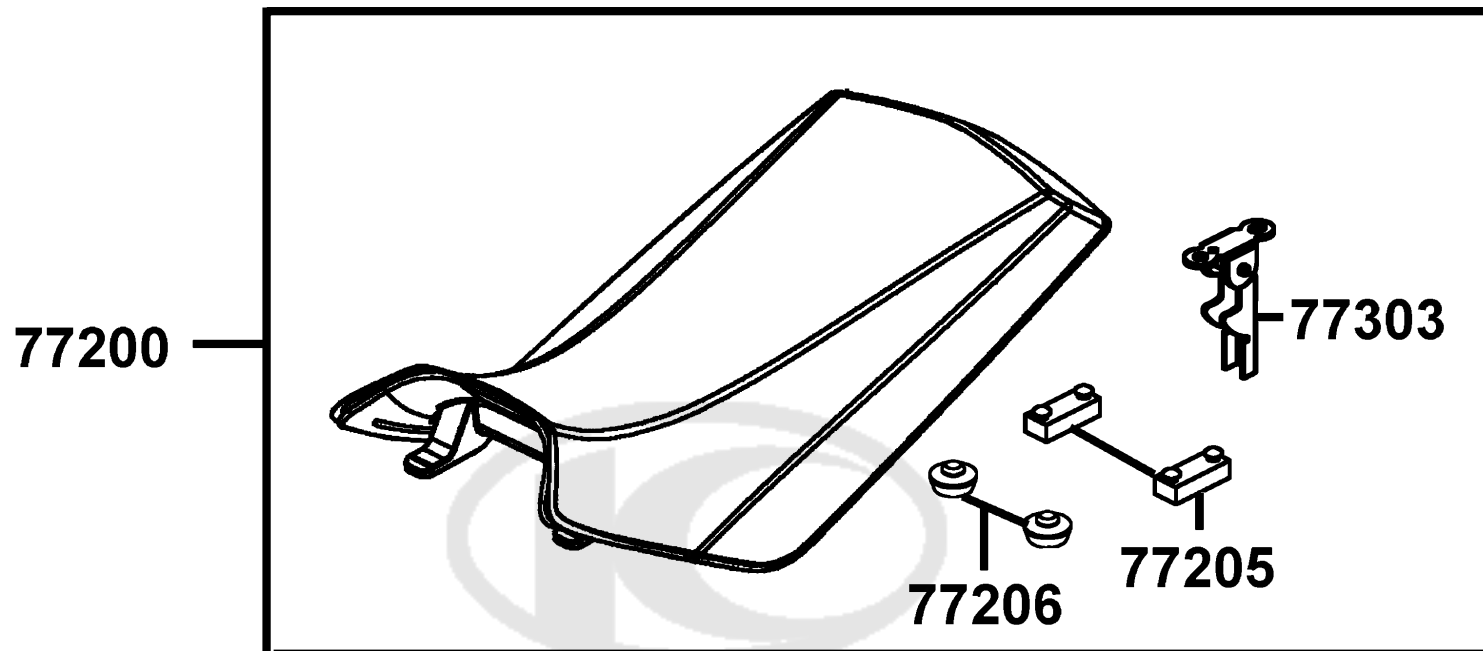
F08

95801	95801-LLB1-900		BOLT FLANGE 12X28	BOLT FLANGE 12X28	4	300
96150	96150-69070-10		BEARING BALL RADIAL 6907	BEARING BALL RADIAL 6907	2	5810



F09

Seat



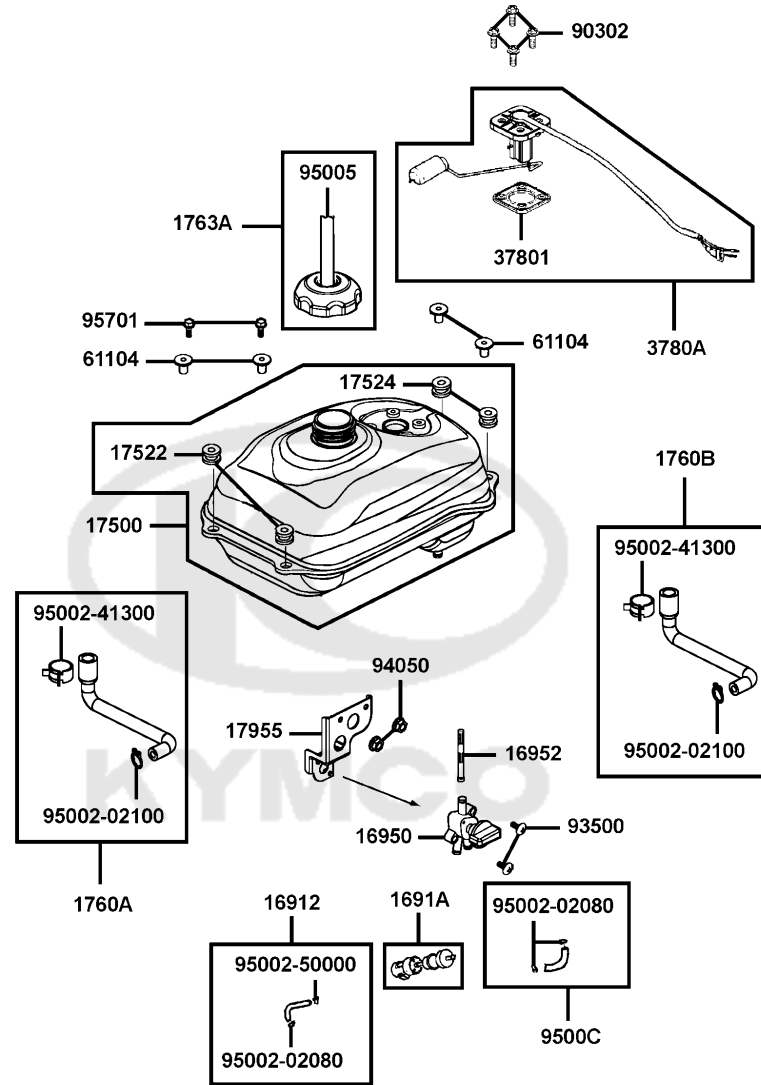
Sales mark 記号	Ref no 参照用番号	Part no パーツ番号	Description 部品名	Reg description 部品名	Regd no 必要個数	Ref Price 希望小売価格(税抜)	F09
------------------	-----------------	------------------	--------------------	------------------------	-----------------	-------------------------	-----

**	77200	77200-LCA4-E00	SEAT ASSY	SEAT ASSY	1	11090	
	77205	77205-2F86-001	RUBBER B SEAT SETTING	RUBBER B SEAT SETTING	1	130	
	77206	77206-LBA7-900	RUBBER SEAT CUSH	RUBBER SEAT CUSH	1	160	
	77303	77303-LLB1-900	HOOK ASSY SEAT LOCK	HOOK ASSY SEAT LOCK	1	950	
	89010	89010-LDB1-700	TOOL SET	TOOL SET	1	2770	
	89020	89020-KKC4-900	BAND TOOL SET	BAND TOOL SET	1	130	



F10

Fuel Tank

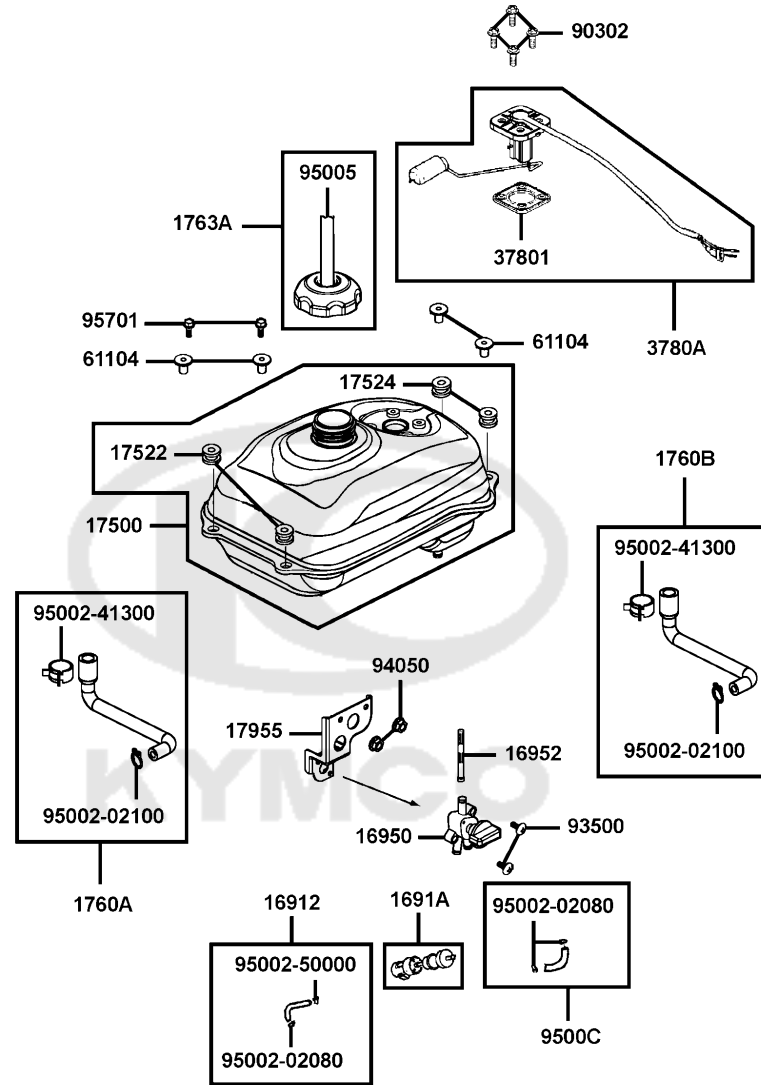


Sales mark 記号	Ref no 参照用番号	Part no パーツ番号	Description 部品名	Reg description 部品名	Regd no 必要個数	Ref Price 希望小売価格(税抜)
16912	16912-LLJ1-900	16912-LLJ1-900	TUBE ASSY CHOKE- STRAINER	TUBE ASSY CHOKE- STRAINER	1	200
1691A	1691A-GFY6-90A	1691A-GFY6-90A	STRAINER ASSY FUEL	STRAINER ASSY FUEL	1	1010
16950	16950-LLB1-920	16950-LLB1-920	COCK FUEL	COCK FUEL	1	2390
16952	16952-LLB1-900	16952-LLB1-900	SCREEN FUEL STRAINER	SCREEN FUEL STRAINER	1	390
17500	17500-LCA4-E01	17500-LCA4-E01	TANK COMP FUEL	TANK COMP FUEL	1	8670
17522	17522-LLB1-900	17522-LLB1-900	RUBBER FUEL TANK	RUBBER FUEL TANK	2	200
17524	17524-LLB1-900	17524-LLB1-900	RR RUBBER FUEL TANK	RR RUBBER FUEL TANK	2	160
1760A	1760A-LLB1-900	1760A-LLB1-900	TUBE ASSY FUEL TANK	TUBE ASSY FUEL TANK	1	390
1760B	1760B-LLB1-900	1760B-LLB1-900	TUBE ASSY FUEL TANK RES	TUBE ASSY FUEL TANK	1	390
1763A	1763A-LCA5-MY0	1763A-LCA5-MY0	CAP ASSY FUEL FILLER	CAP ASSY FUEL FILLER	1	2890
17955	17955-LLJ1-900	17955-LLJ1-900	STAY FUEL COCK	STAY FUEL COCK	1	680
37801	37801-LAB4-910	37801-LAB4-910	PACKING BASE	PACKING BASE	1	390
3780A	3780A-LCA4-E01	3780A-LCA4-E01	FUEL UNIT ASSY	FUEL UNIT ASSY	1	2460
61104	61104-3G57-001	61104-3G57-001	COLLAR FR FENDER	COLLAR FR FENDER	2	110
90302	90302-GBR2-001	90302-GBR2-001	BOLT WASH 5X12	BOLT WASH 5X12	4	60
93500	93500-05016-1B	93500-05016-1B	SCREW PAN 5*16	SCREW PAN 5*16	2	60
94050	94050-06080	94050-06080	NUT FLANGE 6MM	NUT FLANGE 6MM	2	60
95002-02080	95002-02080	95002-02080	CLIP B8 TUBE	CLIP B8 TUBE	3	60
95002-02100	95002-02100	95002-02100	CLIP B15 TUBE	CLIP B15 TUBE	2	60
95002-41300	95002-41300-00	95002-41300-00	CLIP D13.0 TUBE	CLIP D13.0 TUBE	2	70

F10

F10

Fuel Tank

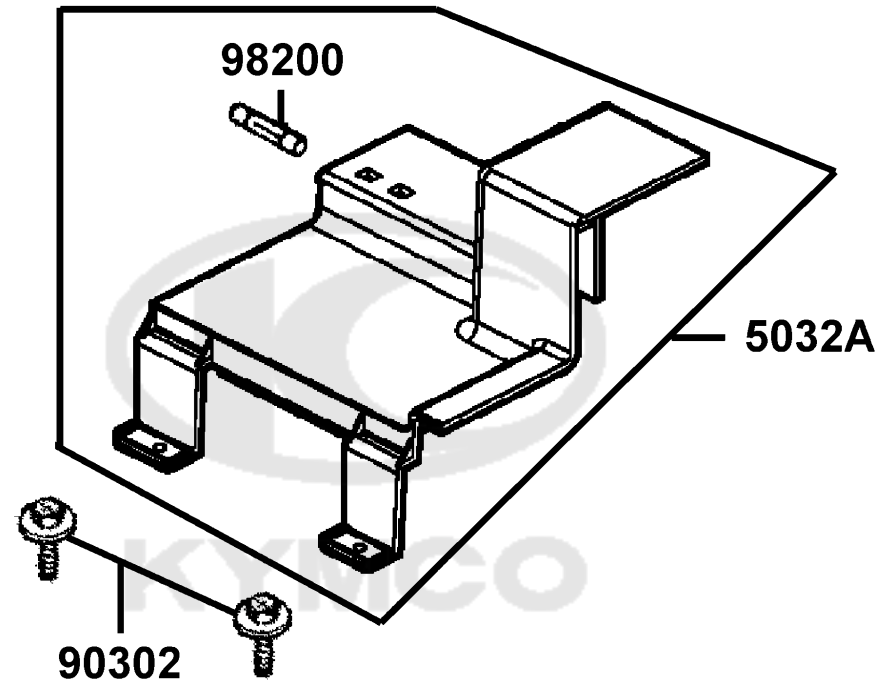


Sales mark 記号	Ref no 参照用番号	Part no パーツ番号	Description 部品名	Reg description 部品名	Regd no 必要個数	Ref Price 希望小売価格(税抜)	F10
95002-50000	95002-50000	95002-50000	CLIP C9 TUBE	CLIP C9 TUBE	1	60	
95005	95005-45360-50	95005-45360-50	TUBE 4.5*360	TUBE 4.5*360	1	80	
9500C	9500C-LLJ1-900	9500C-LLJ1-900	TUBE ASSY CHOKE- STRAINER	TUBE ASSY CHOKE- STRAINER	1	390	
95701	95701-06022-06	95701-06022-06	BOLT FLANGE 6*22	BOLT FLANGE 6*22	2	60	



F11

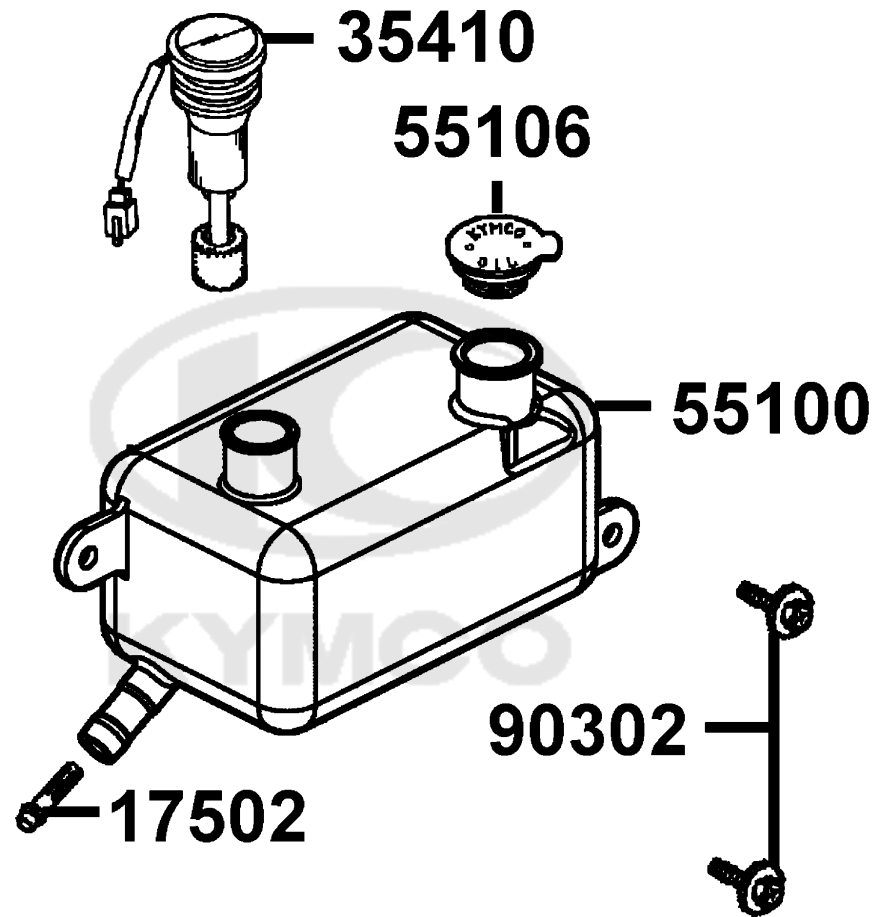
Battery



Sales mark 記号	Ref no 参照用番号	Part no パーツ番号	Description 部品名	Reg description 部品名	Regd no 必要個数	Ref Price 希望小売価格(税抜)	F11
------------------	-----------------	------------------	--------------------	------------------------	-----------------	-------------------------	-----

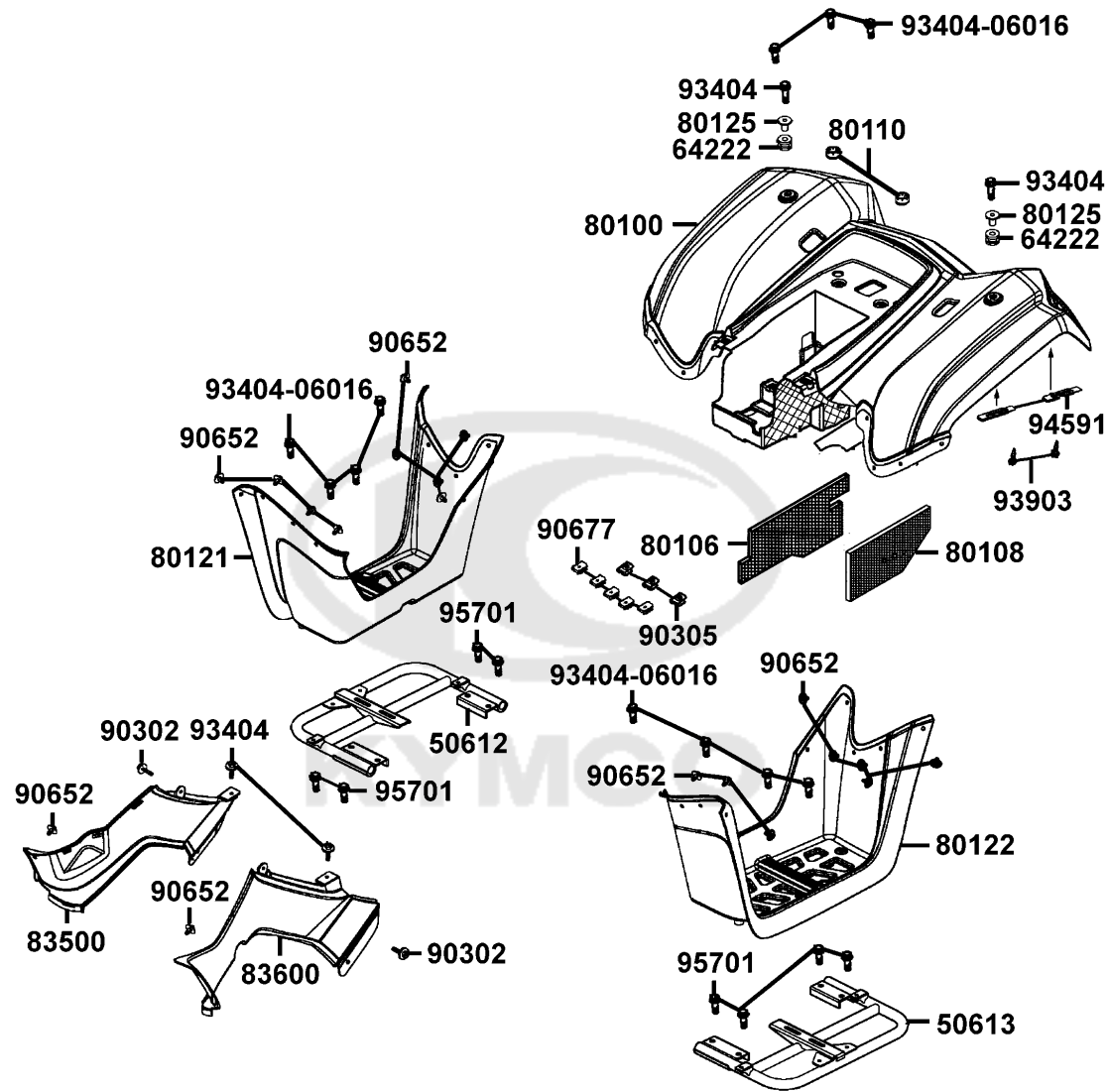
5032A		5032A-LCA4-E00	COVER ASSY BATTERY	COVER ASSY BATTERY	1	880	
90302		90302-PWA1-900	BOLT-WASH 5*16	BOLT-WASH 5*16	2	60	
98200		98200-12000	FUSE 20A	FUSE 20A	1	70	





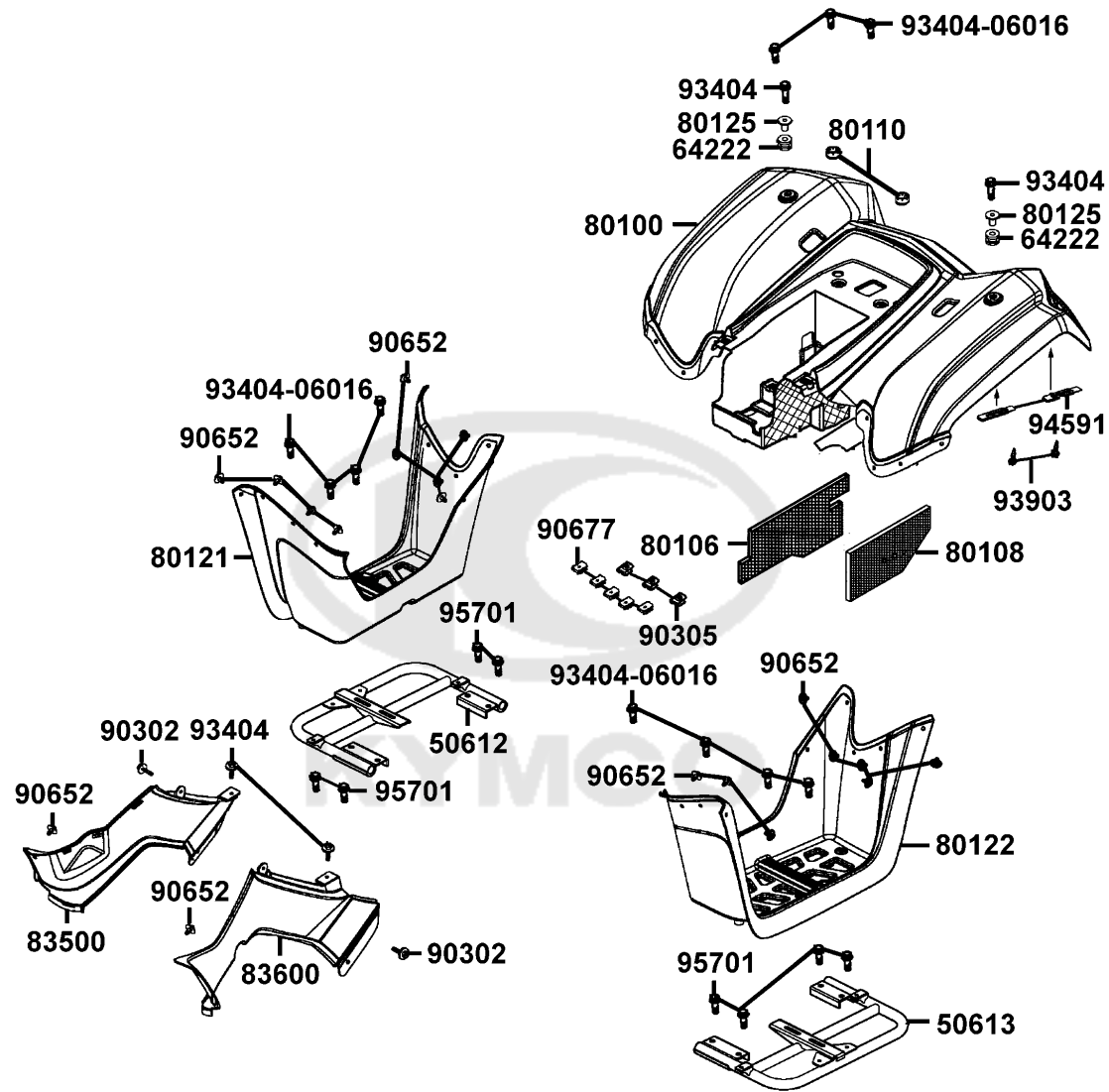
Sales mark 記号	Ref no 参照用番号	Part no パーツ番号	Description 部品名	Reg description 部品名	Regd no 必要個数	Ref Price 希望小売価格(税抜)	F12
17502		17502-1G87-001	OIL STRAINER	OIL STRAINER	1	300	
35410		35410-LLJ1-900	SW COMP OIL LEVEL	SW COMP OIL LEVEL	1	4100	
55100		55100-LLJ1-900	TANK OIL	TANK OIL	1	1340	
55106		55106-KEB7-900	CAP ASSY OIL	CAP ASSY OIL	1	330	
90302		90302-GFY6-901	BOLT WASH 5X12	BOLT WASH 5X12	2	60	





Sales mark 記号	Ref no 参照用番号	Part no パーツ番号	Description 部品名	Reg description 部品名	Regd no 必要個数	Ref Price 希望小売価格(税抜)
	50612	50612-LCA4-E00	STAY R FOLLR PANEL	STAY R FOLLR PANEL	1	4600
	50613	50613-LCA4-E00	STAY L FLOOR PANEL	STAY L FLOOR PANEL	1	4600
	64222	64222-LLJ3-E00	RUBBER WIND SCREEN	RUBBER WIND SCREEN	2	160
**	80100	80100-LCA4-E00	FENDER RR (RED)	FENDER RR (RED)	1	8820
	80106	80106-LCA4-E00	HEAT GUARD A RR FENDER	HEAT GUARD A RR FENDER	1	1060
	80108	80108-LCA4-E00	HEAT GUARD B RR FENDER	HEAT GUARD B RR FENDER	1	500
	80110	80110-LBA7-900	RUBBER REAR FENDER	RUBBER REAR FENDER	2	80
**	80121	80121-LCA4-E01	MUDGUARD R FLOOR (MAT BLACK)	MUDGUARD R FLOOR (MAT BLACK)	1	3410
**	80122	80122-LCA4-E01	MUDGUARD L FLOOR (MAT BLACK)	MUDGUARD L FLOOR (MAT BLACK)	1	3410
	80125	80125-LBD4-900		COLLAR FLOOR	2	160
**	83500	83500-LCA4-E01	COVER R SIDE (MAT BLACK)	COVER R SIDE (MAT BLACK)	1	1590
**	83600	83600-LCA4-E01	COVER L SIDE (MAT BLACK)	COVER L SIDE (MAT BLACK)	1	1590
	90302	90302-PWA1-900	BOLT-WASH 5*16	BOLT-WASH 5*16	2	60
	90305	90305-GHK8-001	NUT CLIP 6MM	NUT CLIP 6MM	3	70
	90652	90652-LCA4-E00	CLIP MUDGUARD	CLIP MUDGUARD	20	110
	90677	90677-GAR1-004	NUT CLIP 5MM	NUT CLIP 5MM	5	110
	93404-06016	93404-06016-06	BOLT WASHER 6*16	BOLT WASHER 6*16	13	70
	93404	93404-06020-06	BOLT WASHER 6X20	BOLT WASHER 6*20 (G)	2	60
	93903	93903-34360	SCREW TAPPING 4X12	SCREW WASHER 4*12	2	70
	94591	94591-27000	CLIP 2*70	CLIP 2*70	2	110

F13



Sales mark 記号	Ref no 参照用番号	Part no パーツ番号	Description 部品名	Reg description 部品名	Regd no 必要個数	Ref Price 希望小売価格(税抜)
------------------	-----------------	------------------	--------------------	------------------------	-----------------	-------------------------

F13

95701

95701-08016-06

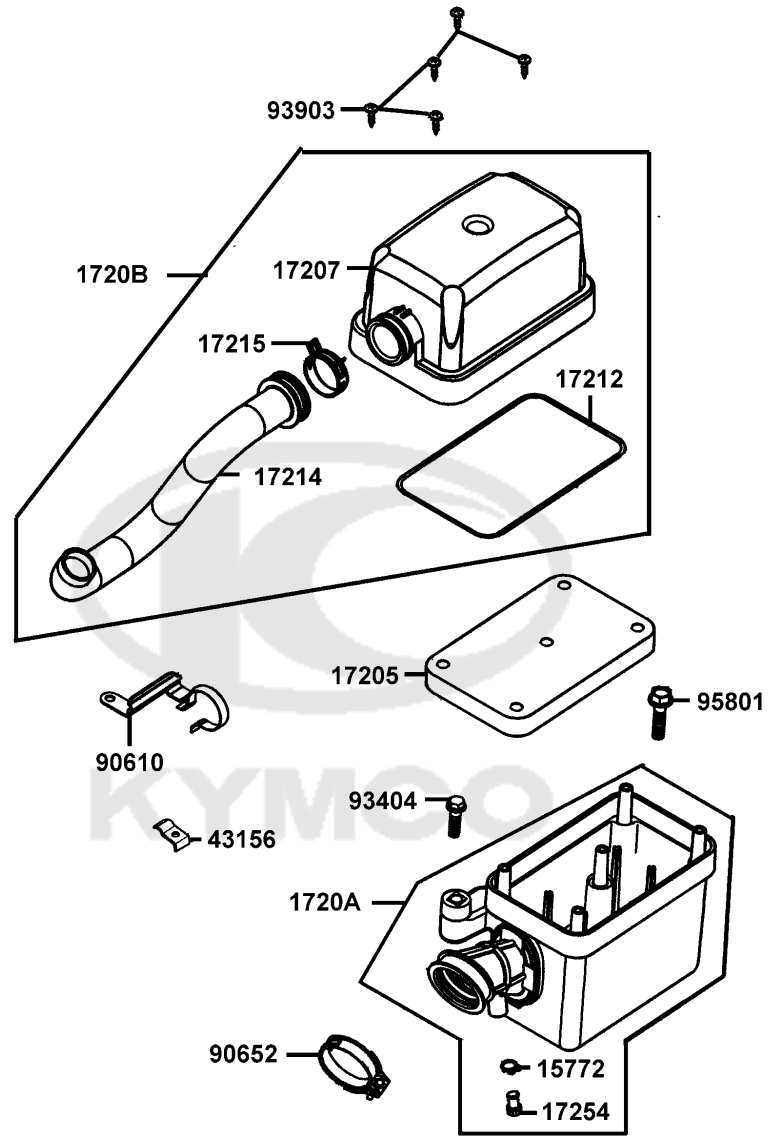
BOLT FLANGE 8*16

BOLT FLANGE 8*16

8

90



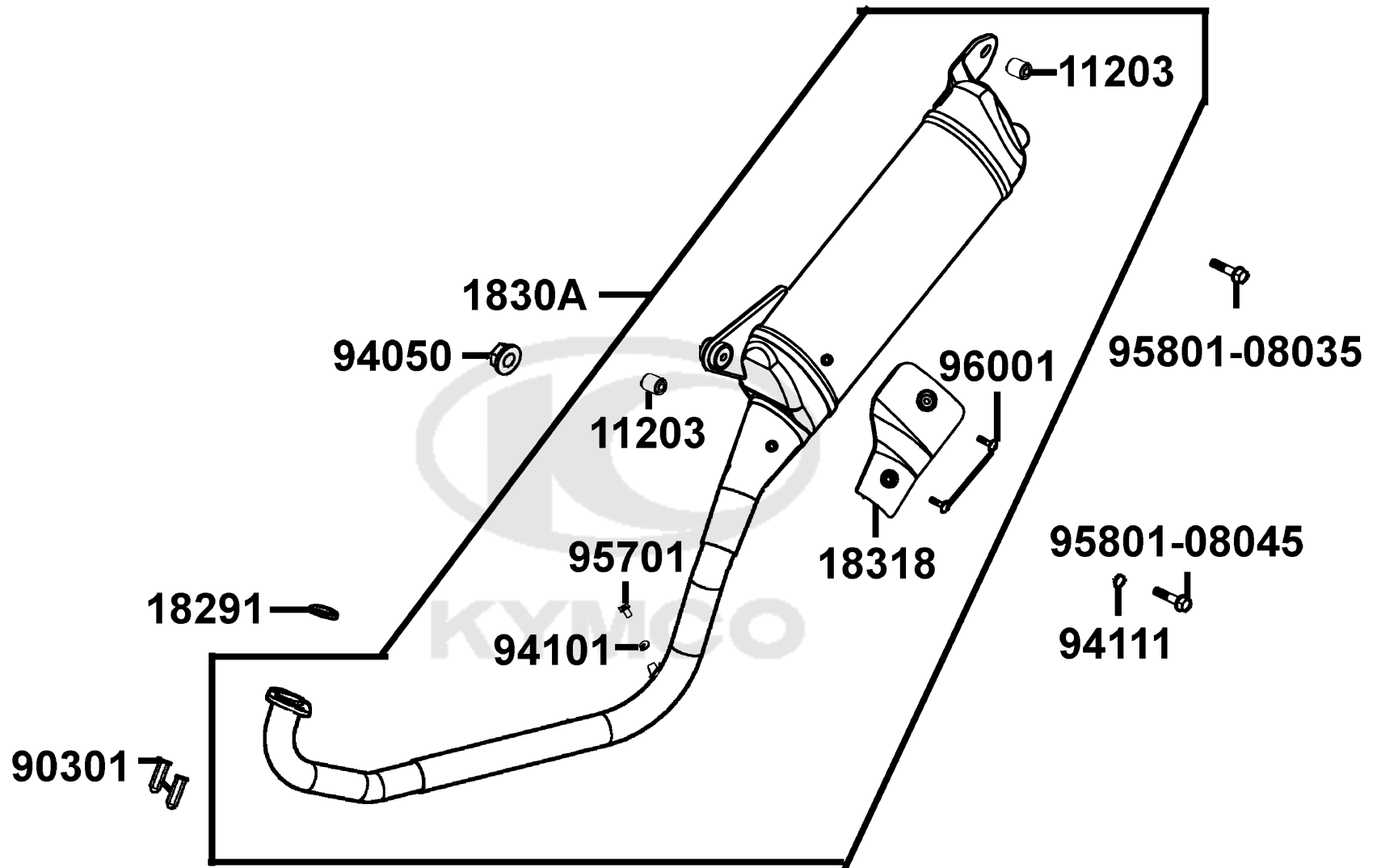


Sales mark 記号	Ref no 参照用番号	Part no パーツ番号	Description 部品名	Reg description 部品名	Regd no 必要個数	Ref Price 希望小売価格(税抜)
15772		15772-5L00-013	CLIP B14.5 TUBE	CLIP B14.5 TUBE	1	160
17205		17205-LLJ1-900	ELEMENT AIR/C	ELEMENT AIR/C	1	770
17207		17207-LLJ1-900	COVER AIR/C	COVER AIR/C	1	630
1720A		1720A-LLJ1-900	CASE ASSY AIR/C	CASE ASSY AIR/C	1	3810
1720B		1720B-LLJ1-900	COVER AIR/C	COVER AIR/C	1	900
17212		17212-LLJ1-900	SEAL AIR/C COVER	SEAL AIR/C COVER	1	200
17214		17214-LLJ1-900	DUCT AIR/C CONN	DUCT AIR/C CONN	1	1400
17215		17215-KGBG-90B	CLIP ASSY AIR/C DUCT	CLIP ASSY AIR/C DUCT	1	580
17254		17254-KACA-P00	PLUG AIR/C CONN TUBE	PLUG AIR/C CONN TUBE	1	200
43156		43156-LDB2-900	CLAMPER HOSE RR	CLAMPER HOSE RR	1	200
90610		90610-LLJ1-900	BAND ASSY AIR/C TUBE	BAND ASSY AIR/C TUBE	1	490
90652		90652-KTCT-900	BAND 44 AIR/C CONN TUBE	BAND 44 AIR/C CONN TUBE	1	390
93404		93404-06025-06	BOLT WASHER 6*25	BOLT WASHER 6*25	1	70
93903		93903-25460	SCREW TAPPING 5*20 **93903-25480	SCREW TAPPING 5*20 **93903-25480 C.2005	5	60
95801		95801-06040-06	BOLT FLANGE 6X40	BOLT FLANGE 6X40	1	390

F14

F15

Exhaust Muffler

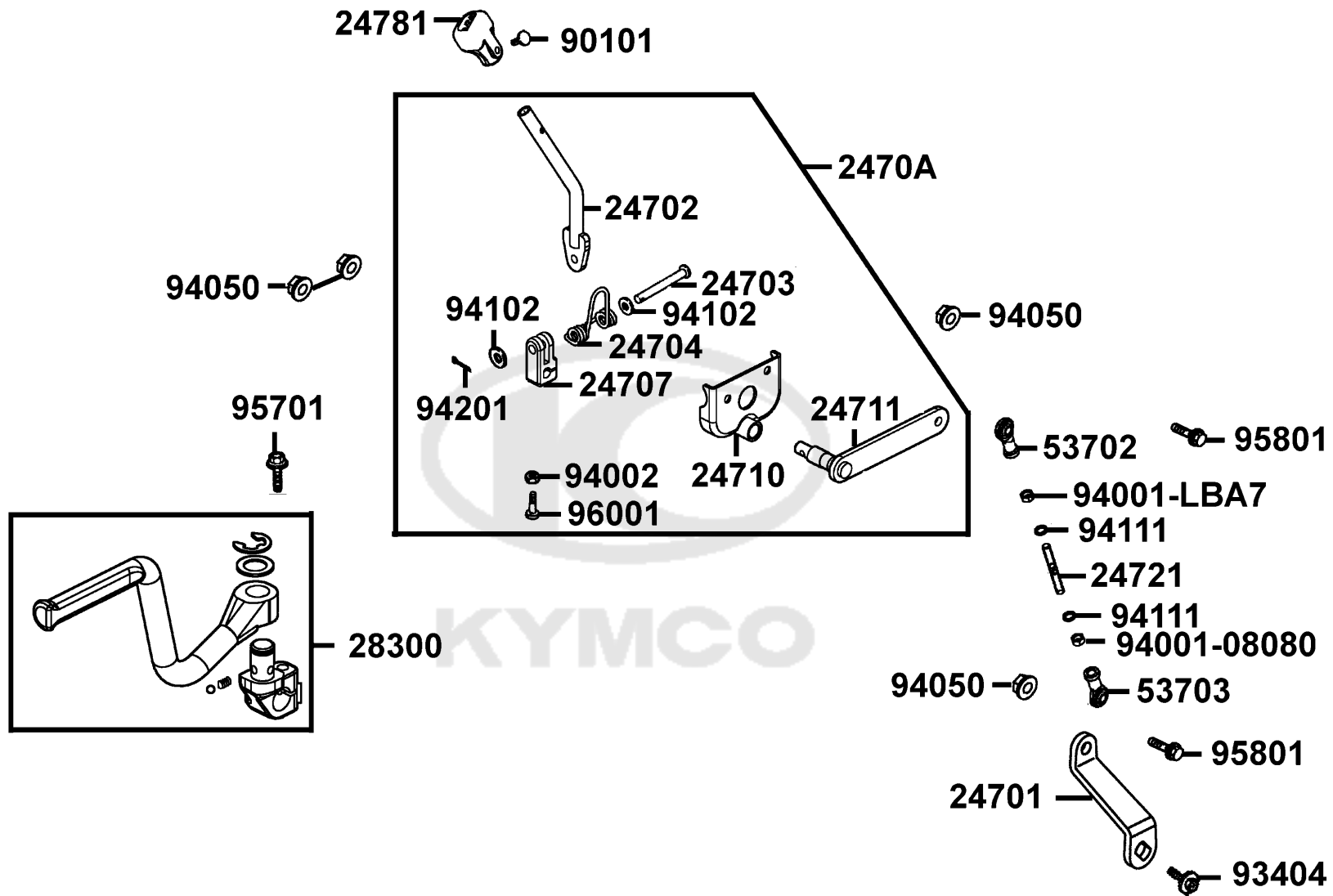


Sales mark 記号	Ref no 参照用番号	Part no パーツ番号	Description 部品名	Reg description 部品名	Regd no 必要個数	Ref Price 希望小売価格(税抜)
11203		11203-GFY6-901	RUBBER BUSH MUFFLER STAY	RUBBER BUSH MUFFLER STAY	1	320
18291		18291-LBA7-900	GASKET EXH PIPE	GASKET EXH PIPE	1	230
1830A		1830A-LLJ1-EZ0	MUFFLER ASSY EXHAUST	MUFFLER ASSY EXHAUST	1	29800
18318		18318-LLJ1-900	PROTECTOR MUFFLER	PROTECTOR MUFFLER	1	1530
90301		90301-KGBG-900	NUT CAP 6MM	NUT CAP 6MM	2	250
94050		94050-08080	NUT FLANGE 8MM	NUT FLANGE 8MM	1	60
94101		94101-06700	WASHER PLAIN 6MM	WASHER PLAIN 6MM	1	60
94111		94111-08800	WASHER SPG 8MM	WASHER SPG 8MM	1	60
95701		95701-06008-06	BOLT FLANGE 6*8	BOLT FLANGE 6*8	1	60
95801-08035		95801-08035-06	BOLT FLANGE 8*35	BOLT FLANGE 8*35	1	200
95801-08045		95801-08045-06	BOLT FLANGE 8*45	BOLT FLANGE 8*45	1	230
96001		96001-06006-02	BOLT FLANGE SH 6*6	BOLT FLANGE SH 6*6	2	60

F15

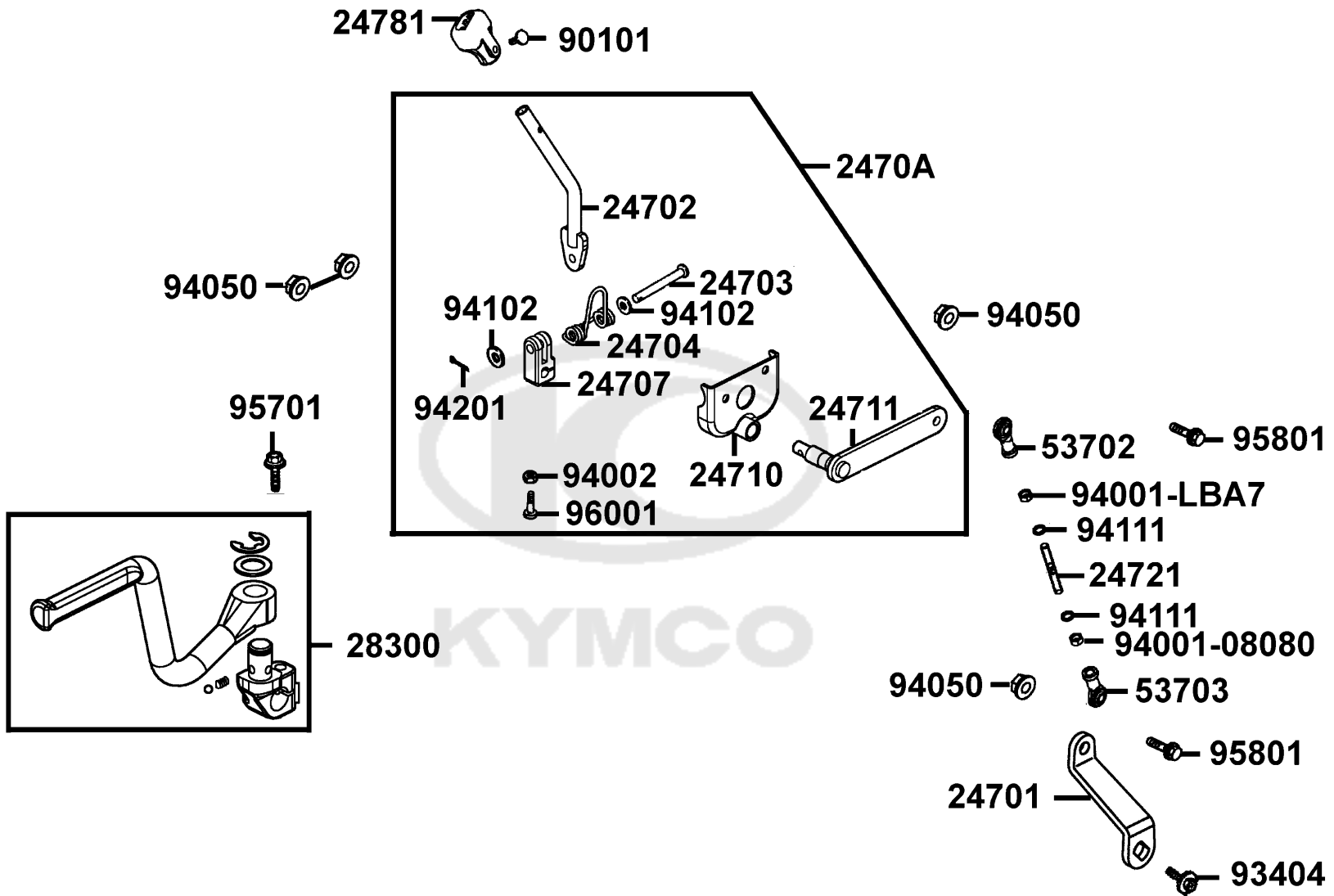
F16

Kick Arm



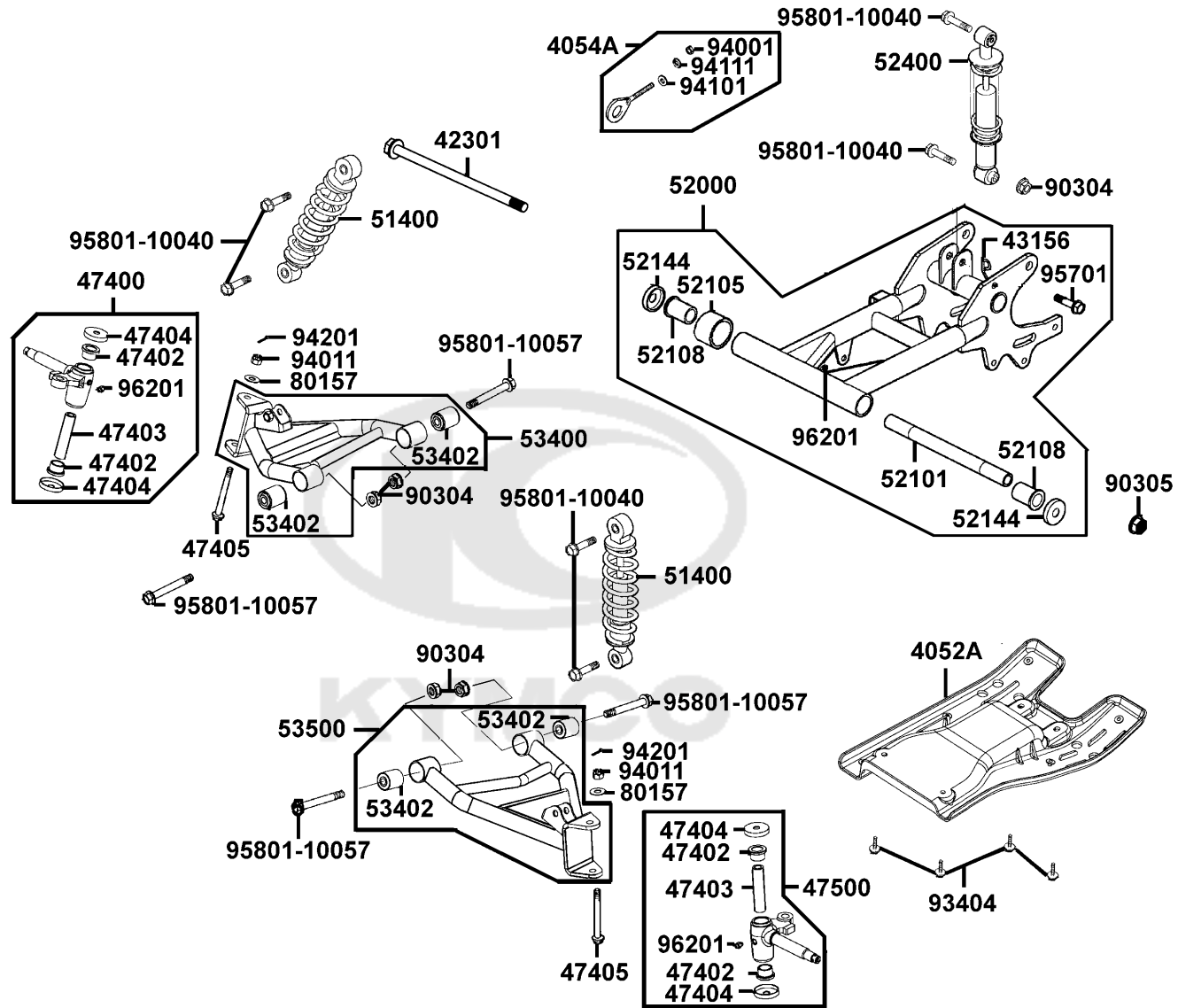
Sales mark 記号	Ref no 参照用番号	Part no パーツ番号	Description 部品名	Reg description 部品名	Regd no 必要個数	Ref Price 希望小売価格(税抜)
24701		24701-LDB1-700	GEAR CHANGE HANDLE	GEAR CHANGE HANDLE	1	1620
24702		24702-LCA4-E00	BAR CHANGE HANDLE	BAR CHANGE HANDLE	1	960
24703		24703-LLB1-900	BOLT SHIFT LEVER	BOLT SHIFT LEVER	1	160
24704		24704-LBA7-900	SPRING CHANGE HANDLE	SPRING CHANGE HANDLE	1	560
24707		24707-LBA7-900	BRKT CHANGE HANDLE	BRKT CHANGE HANDLE	1	1750
2470A		2470A-LCA4-E00	HANDLE ASSY CHANGE	HANDLE ASSY CHANGE	1	5130
24710		24710-LCA4-E00	STAY CHANGE HANDLE ASSY	STAY CHANGE HANDLE ASSY	1	1110
24711		24711-LCA4-E00	SHAFT COMP CHANGE HANDLE	SHAFT COMP CHANGE HANDLE	1	1270
24721		24721-LDB1-700	ROD ASSY SHIFT	ROD ASSY SHIFT	1	360
24781		24781-LCA5-E00		COVER CHANGE HNDL	1	720
28300		28300-LLJ1-900	ARM ASSY KICK	ARM ASSY KICK	1	4760
53702		53702-LBA7-900		JOINT R BALL	1	1820
53703		53703-LBA7-900		JOINT L BALL	1	1820
90101		90101-LCA5-E00		SOCKET BOLT 5X12	1	90
93404		93404-06012-06	BOLT WASHER 6X12	BOLT WASHER 6*12 (G)	1	60
94001-08080		94001-08080-0S	NUT HEX 8MM	NUT HEX 8MM	1	60
94001-LBA7		94001-LBA7-900		NUT HEX LH 8MM	1	110
94002		94002-06060-0S	NUT HEX 6MM	NUT HEX 6MM	1	200
94050		94050-08080	NUT FLANGE 8MM	NUT FLANGE 8MM	4	60
94102		94102-08000	WASHER PLAIN 8MM	WASHER PLAIN 8MM	2	200

F16

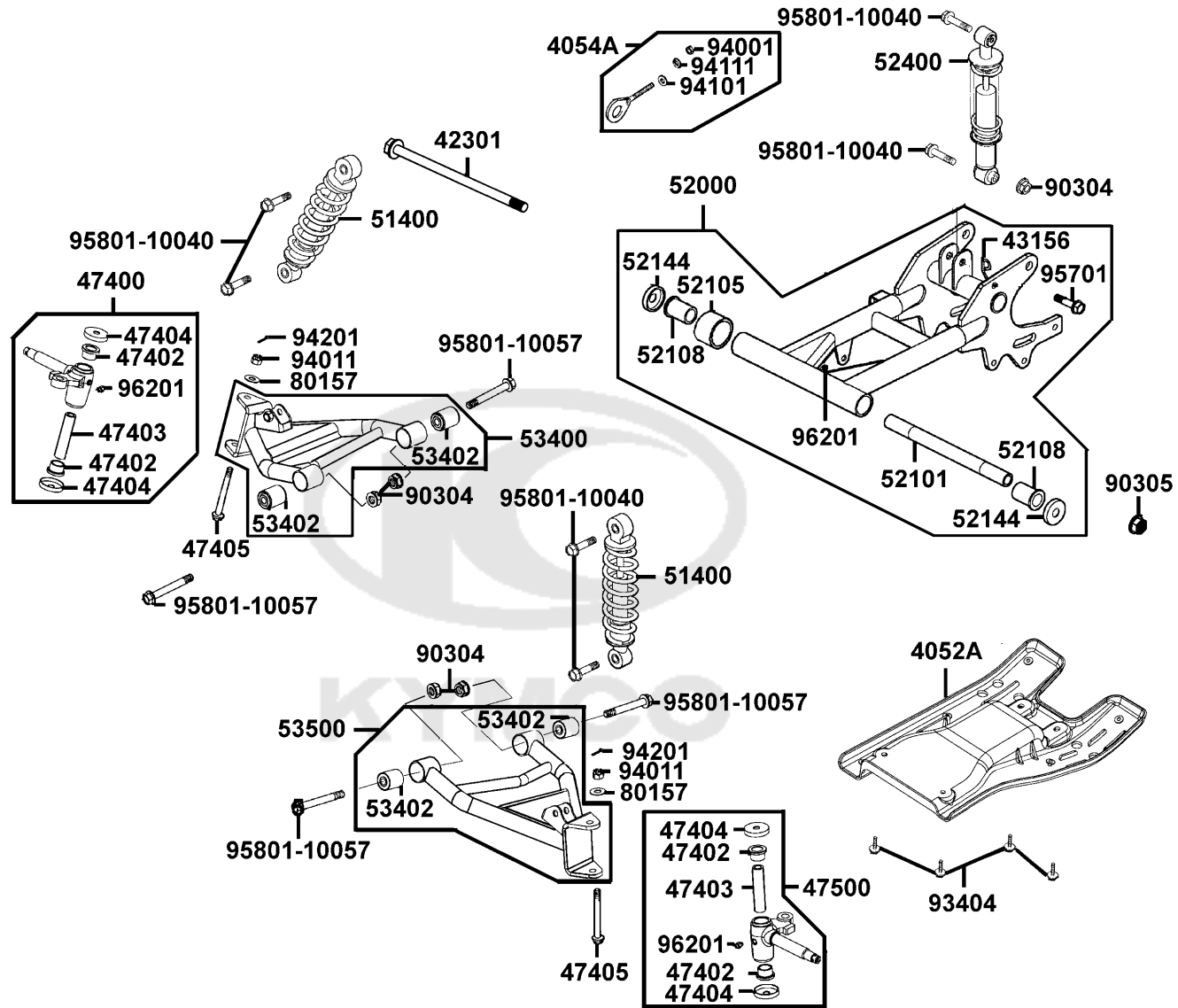


Sales mark 記号	Ref no 参照用番号	Part no パーツ番号	Description 部品名	Reg description 部品名	Regd no 必要個数	Ref Price 希望小売価格(税抜)	F16
94111	94111-08800	94111-08800	WASHER SPG 8MM	WASHER SPG 8MM	2	60	
94201	94201-20150	94201-20150	PIN SPLIT 2*15	PIN SPLIT 2*15	1	60	
95701	95701-06022-06	95701-06022-06	BOLT FLANGE 6*22	BOLT FLANGE 6*22	1	60	
95801	95801-08028-06	95801-08028-06	BOLT FLANGE 8*28	BOLT FLANGE 8*28	2	200	
96001	96001-06016-06	96001-06016-06	BOLT FLANGE SH 6X16	BOLT FLANGE SH 6X16	1	60	



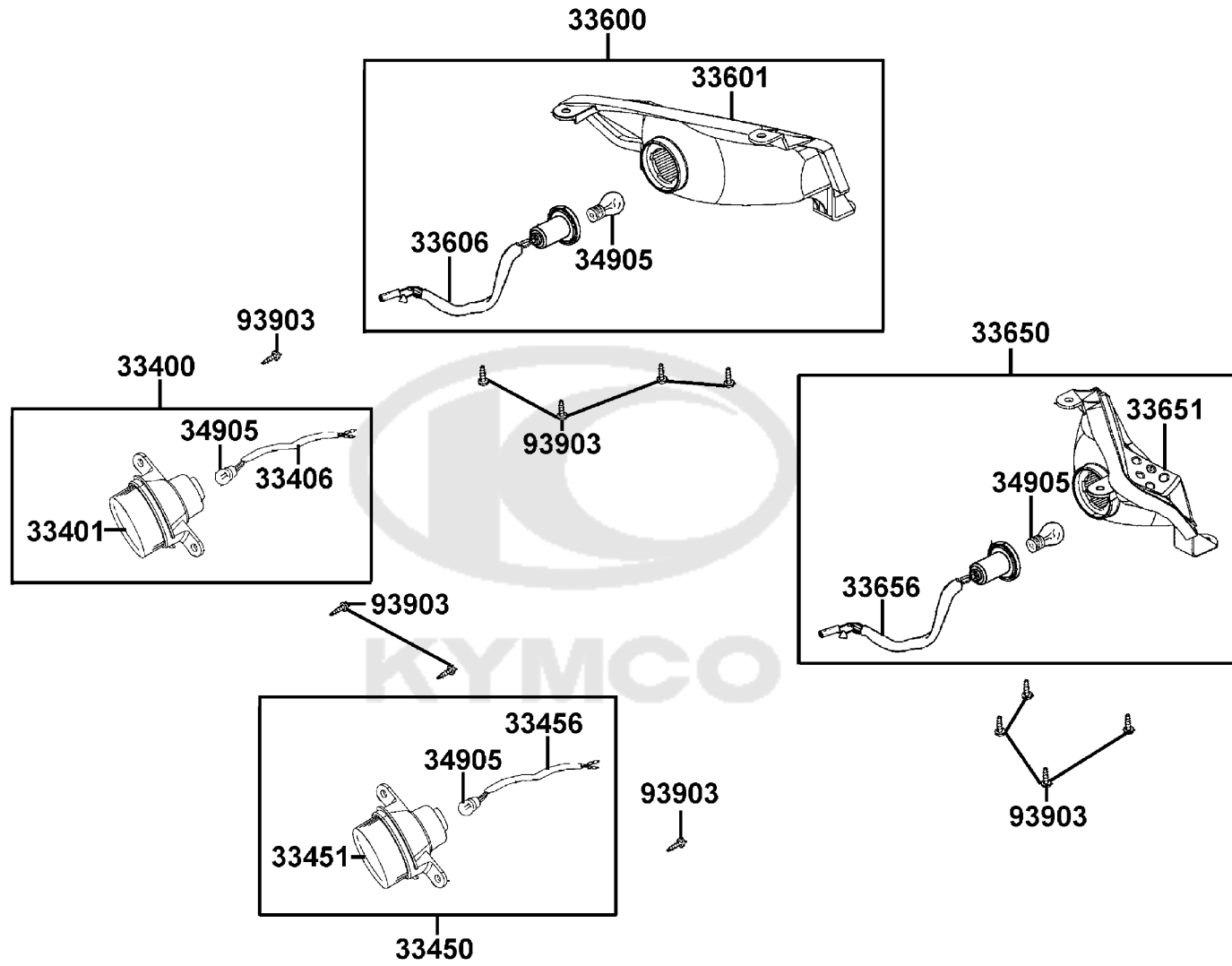


Sales mark 記号	Ref no 参照用番号	Part no パーツ番号	Description 部品名	Reg description 部品名	Regd no 必要個数	Ref Price 希望小売価格(税抜)	F17
	4052A	4052A-LDB1-700	GUARD ASSY RR FORK	GUARD ASSY RR FORK	1	2850	
	4054A	4054A-LLB1-900	DRIVE CHAIN ADJUSTER ASSY	DRIVE CHAIN ADJUSTER ASSY	1	580	
	42301	42301-LLB1-900	AXLE RR FORK M14*265MM	AXLE RR FORK M14*265MM	1	1630	
	43156	43156-LLB1-800	CLAMPER BRAKE HOSE	CLAMPER BRAKE HOSE	1	300	
	47400	47400-LLB1-900	SHAFT ASSY R STEERING	SHAFT ASSY R STEERING	1	8560	
	47402	47402-LLB1-900	BUSH STRG SHAFT	BUSH STRG SHAFT	4	960	
	47403	47403-LLB1-900	COLLAR STRG SHAFT	COLLAR STRG SHAFT	2	960	
	47404	47404-LLB1-900	CAP STRG SHAFT	CAP STRG SHAFT	4	390	
	47405	47405-LLB1-900	BOLT FLANGE 10*105	BOLT FLANGE 10*105	2	540	
	47500	47500-LLB1-900	SHAFT ASSY L STEERING	SHAFT ASSY L STEERING	1	8940	
**	51400	51400-LCA4-E00	CUSHION ASSY FR	CUSHION ASSY FR	2	9320	
	52000	52000-LCA4-E00	FORK ASSY RR	FORK ASSY RR	1	25110	
	52101	52101-LLB1-900	COLLAR RR FORK DIST	COLLAR RR FORK DIST	1	1910	
	52105	52105-LLB1-900	SLEEVE RUBBER	SLEEVE RUBBER	1	390	
	52108	52108-KEE5-004	BUSH RR FORK	BUSH RR FORK	2	770	
	52144	52144-LBA7-900	CAP RR FORK DUST SEAL	CAP RR FORK DUST SEAL	2	350	
**	52400	52400-LCA4-E00	CUSHION ASSY RR	CUSHION ASSY RR	1	13820	
	53400	53400-LCA4-E00	ARM ASSY R SWING	ARM ASSY R SWING	1	9190	
	53402	53402-LLB1-900	BUSH SWING ARM	BUSH SWING ARM	4	580	
	53500	53500-LCA4-E00	ARM ASSY L SWING	ARM ASSY L SWING	1	9190	



Sales mark 記号	Ref no 参照用番号	Part no パーツ番号	Description 部品名	Reg description 部品名	Regd no 必要個数	Ref Price 希望小売価格(税抜)
80157		80157-KCBC-900	WASHER	WASHER	2	110
90304		90304-GLW0-90A	NUT CAP 6MM	NUT CAP 6MM	5	200
90305		90305-GHE8-004	NUT U 14MM	NUT U 14MM	1	610
93404		93404-06016-06	BOLT WASHER 6*16	BOLT WASHER 6*16	4	70
94001		94001-08080-0S	NUT HEX 8MM	NUT HEX 8MM	1	60
94011		94011-10080-0S	NUT CASTLE 10MM	NUT CASTLE 10MM	2	220
94101		94101-08800	WASHER PLAIN 8MM	WASHER PLAIN 8MM	1	60
94111		94111-08800	WASHER SPG 8MM	WASHER SPG 8MM	1	60
94201		94201-25250		PIN SPLIT 2.5*25	2	200
95701		95701-06010-06	BOLT FLANGE 6*10	BOLT FLANGE 6*10	1	60
95801-10040		95801-10040-06	BOLT FLANGE 10X40	BOLT FLANGE 10*40	1	230
95801-10057		95801-10057-06	BOLT FLANGE 10*57	BOLT FLANGE 10*57	4	230
96201		96201-10000	NIPPLE CREASE	NIPPLE CREASE	3	390

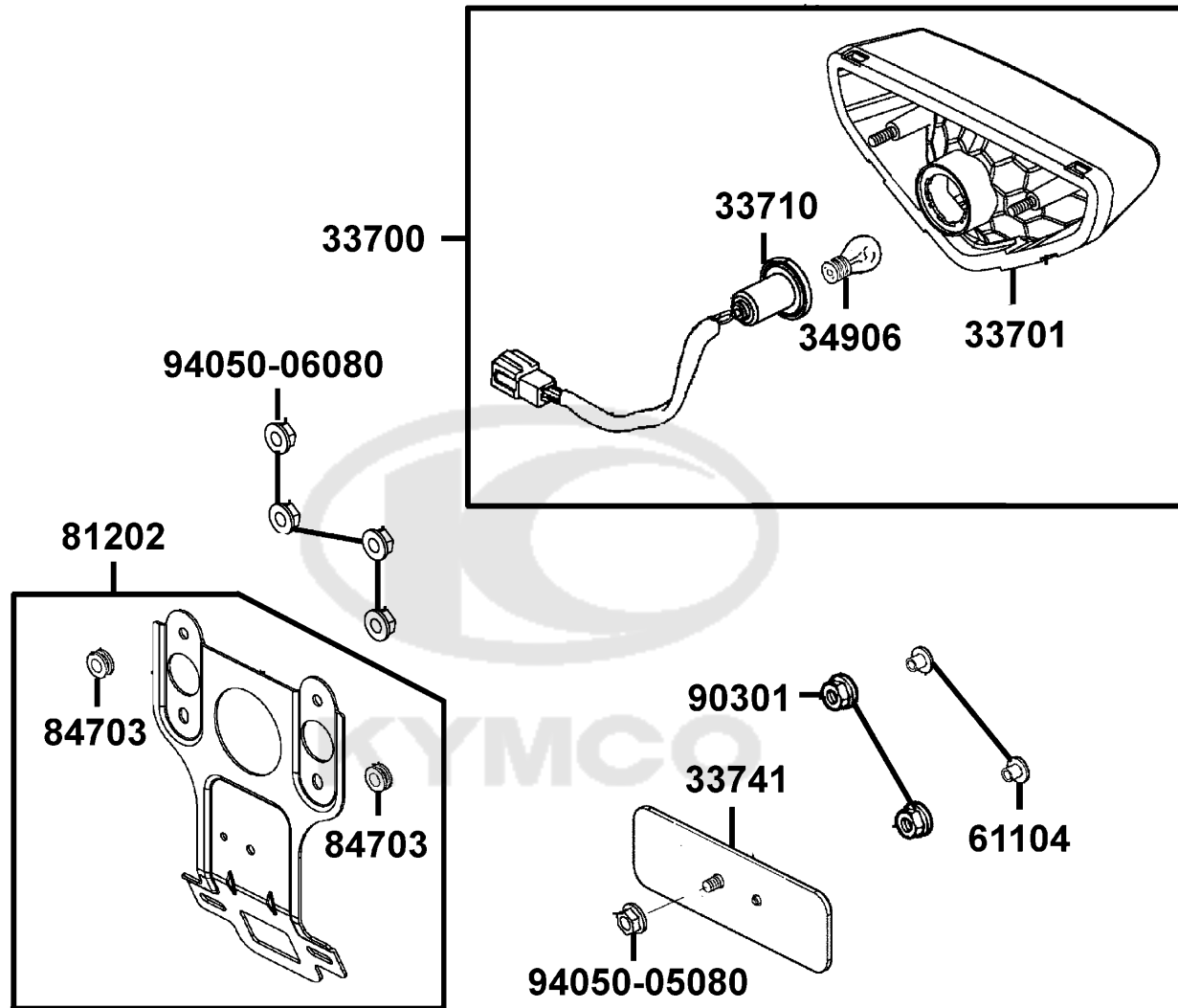
F17



Sales mark 記号	Ref no 参照用番号	Part no パーツ番号	Description 部品名	Reg description 部品名	Regd no 必要個数	Ref Price 希望小売価格(税抜)	F18
33400		33400-LCA5-E00		WINKER ASSY R FR	1	2340	
33401		33401-LCA5-E00		UNIT WINKER R FR	1	1080	
33406		33406-LCA5-E00	SOCKET COMP R FR WINKER	SOCKET COMP R FR WINKER	1	820	
33450		33450-LCA5-E00		WINKER ASSY L FR	1	2340	
33451		33451-LCA5-E00		UNIT WINKER L FR	1	1080	
33456		33456-LCA5-E00	SOCKET COMP L FR WINKER	SOCKET COMP L FR WINKER	1	820	
33600		33600-LCA4-E00	WINKER ASSY R RR	WINKER ASSY R RR	1	4780	
33601		33601-LCA4-E00	UNIT WINKER R RR	UNIT WINKER R RR	1	1790	
33606		33606-LCA4-E00	SOCKET COMP R RR WINKER	SOCKET COMP R RR WINKER	1	360	
33650		33650-LCA4-E00	WINKER ASSY L RR	WINKER ASSY L RR	1	4820	
33651		33651-LCA4-E00	UNIT WINKER L RR	UNIT WINKER L RR	1	1790	
33656		33656-LCA4-E00	SOCKET COMP L RR WINKER	SOCKET COMP L RR WINKER	1	360	
34905		34905-LBA7-E00	BULB WINKER 12V10W	BULB WINKER 12V10W	4	580	
93903		93903-35260	SCREW WASHER 4*12	SCREW WASHER 4*12	12	70	

F19

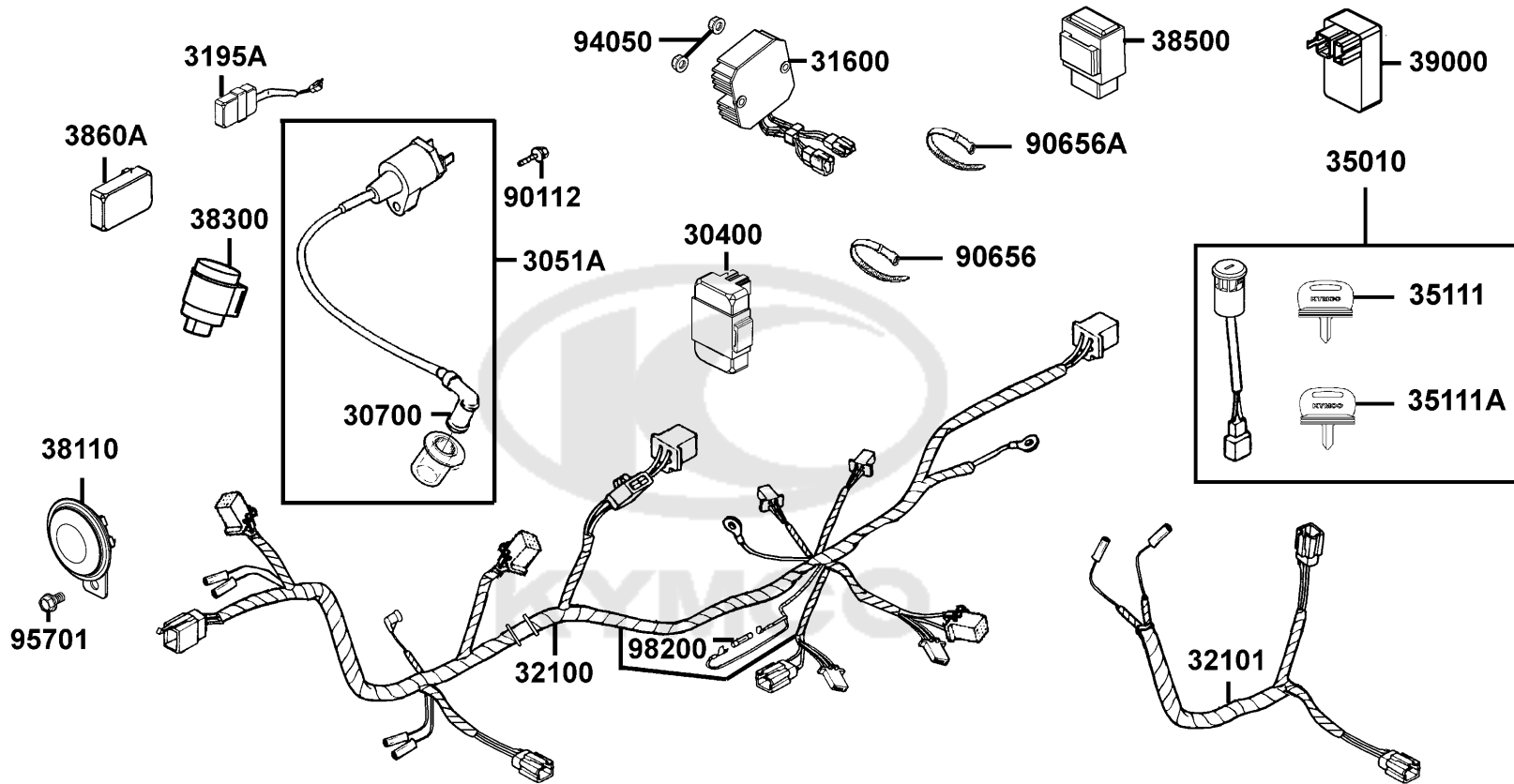
Rear Light



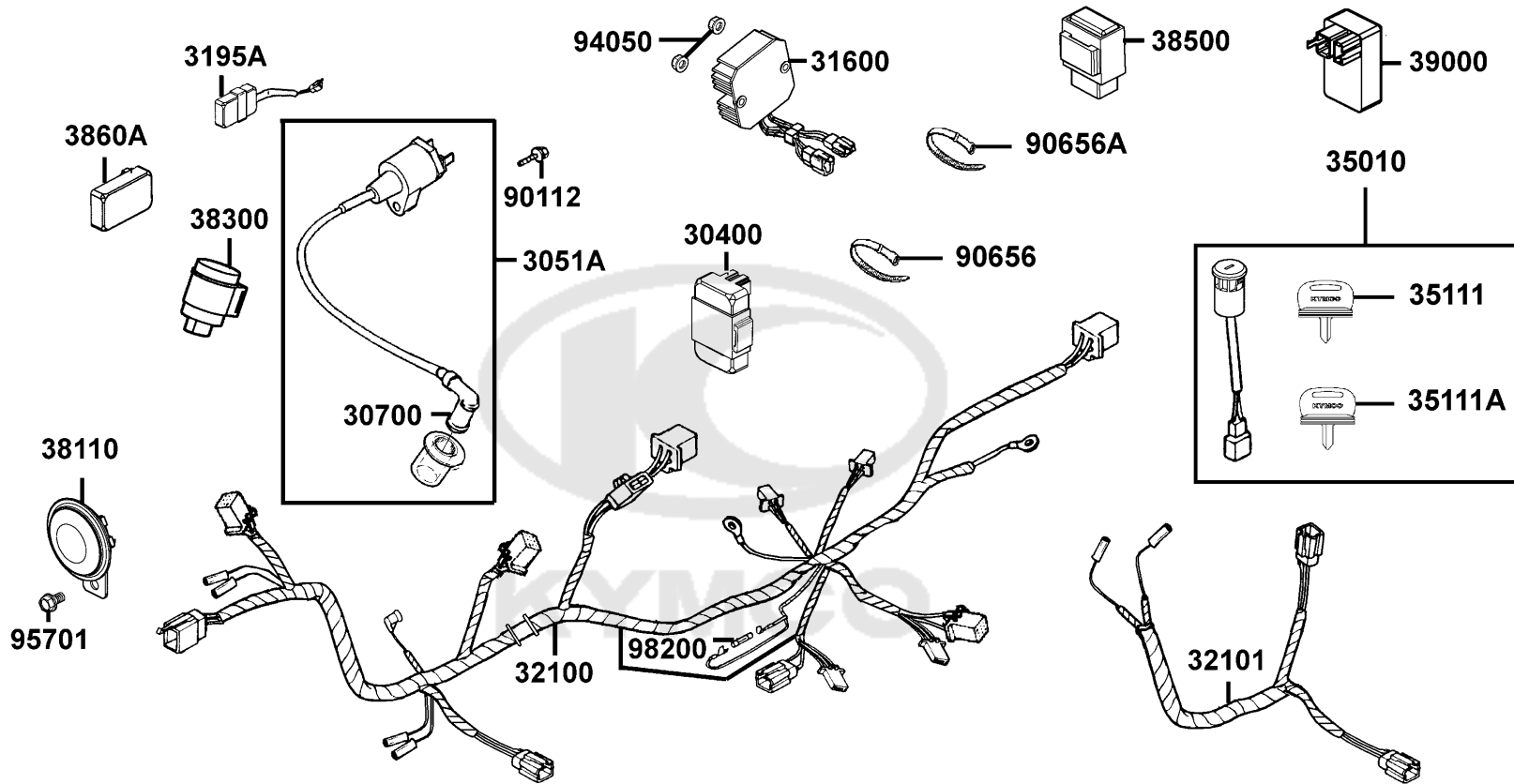
Sales mark 記号	Ref no 参照用番号	Part no パーツ番号	Description 部品名	Reg description 部品名	Regd no 必要個数	Ref Price 希望小売価格(税抜)
	33700	33700-LBA7-E00		LIGHT ASSY TAIL	1	4570
	33701	33701-LBA7-E00		UNIT TAIL LIGHT	1	2500
	33710	33710-LBA7-900	SOCKET COMP RR COMB	SOCKET COMP RR COMB	1	2380
	33741	33741-KEBE-900	REFLEX REFLECTOR	REFLEX REFLECTOR	1	680
	34906	34906-KPCP-900	BULB TAIL & STOP	BULB TAIL & STOP	1	770
	61104	61104-3G57-001	COLLAR FR FENDER	COLLAR FR FENDER	2	110
	81202	81202-LCA4-E00	STAY ID PLATE	STAY ID PLATE	1	2230
	84703	84703-LLB1-900	RUBBER TAIL LIGHT	RUBBER TAIL LIGHT	2	70
	90301	90301-6D34-671	NUT FLANGE 6MM	NUT FLANGE 6MM	2	60
	94050-05080	94050-05080	NUT FLANGE 5MM	NUT FLANGE 5MM	1	60
	94050-06080	94050-06080	NUT FLANGE 6MM	NUT FLANGE 6MM	6	60

F19





Sales mark 記号	Ref no 参照用番号	Part no パーツ番号	Description 部品名	Reg description 部品名	Regd no 必要個数	Ref Price 希望小売価格(税抜)	F20
	30400	30400-KFA6-900	UNIT ASSY C.D.I	UNIT ASSY C.D.I	1	11030	
	3051A	3051A-LBD3-900	COIL ASSY IGNITION	COIL ASSY IGNITION	1	3000	
	30700	30700-KNBN-901	CAP ASSY NOISE SUPPRESOR	CAP ASSY NOISE SUPPRESOR	1	970	
	31600	31600-LBA7-900	REG REC COMP	REG REC COMP	1	8880	
	3195A	3195A-LBA7-E00		HAZARD CONTROL ASSY	1	5300	
	32100	32100-LDB1-700	HARNESS WIRE	HARNESS WIRE	1	21830	
	32101	32101-LLB1-800	SUB CORD	SUB CORD	1	320	
	35010	35010-LCA4-9V0	KEY SET (A.H.C.)	KEY SET (A.H.C.)	1	3400	
	35111	35111-LCA5-325-M1	KEY COMP(FOR SERVICE)	KEY COMP(FOR SERVICE)	2	760	
	35111A	35111-LCA5-326-M1	KEY COMP(FOR SERVICE)	KEY COMP(FOR SERVICE)	2	760	
	38110	38110-KHB4-E0A	HORN COMP (D405)	HORN COMP	1	2480	
	38110	38110-KHB4-E0B	HORN COMP (D203)	HORN COMP	1	2480	
	38300	38300-KECE-900	RELAY ASSY WINKER	RELAY ASSY WINKER	1	2530	
	38500	38500-KFA6-900	RELAY ASSY START	RELAY ASSY START	1	2290	
	3860A	3860A-LCA5-E01		CONTROL ASSY LIGHTING	1	7000	
	39000	39000-LLB1-900	CONTROL UNIT GEAR CHANGE	CONTROL UNIT GEAR CHANGE	1	4120	
	90112	90112-KRDR-900	BOLT FLANGE 5*22	BOLT FLANGE 5*22	1	130	
	90656	90656-KCBC-900	BAND OIL HANDLE 8X146	BAND OIL HANDLE	8	160	
**	90656A	90656-KUDU-900	BAND HARNESS WIRE **KUDU-900	BAND HARNESS WIRE **KUDU-900	2	160	
	94050	94050-06080	NUT FLANGE 6MM	NUT FLANGE 6MM	3	60	



Sales mark 記号	Ref no 参照用番号	Part no パーツ番号	Description 部品名	Reg description 部品名	Regd no 必要個数	Ref Price 希望小売価格(税抜)
------------------	-----------------	------------------	--------------------	------------------------	-----------------	-------------------------

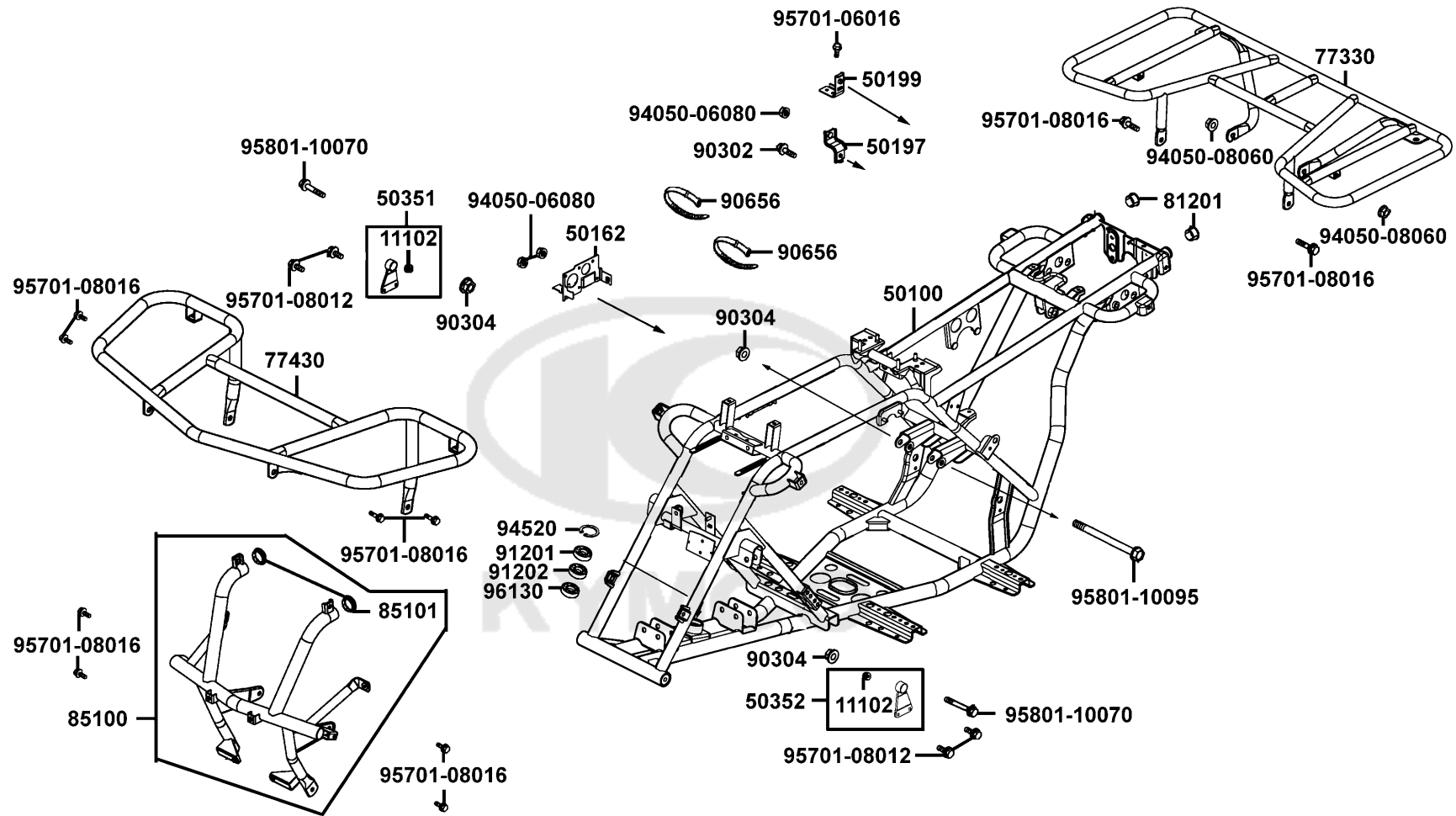
F20

95701	95701-08012-06		BOLT FLANGE 6*22 (K)	BOLT FLANGE 6*22 (K)	1	70
98200	98200-12000		FUSE 20A	FUSE 20A	1	70



F21

Frame Body

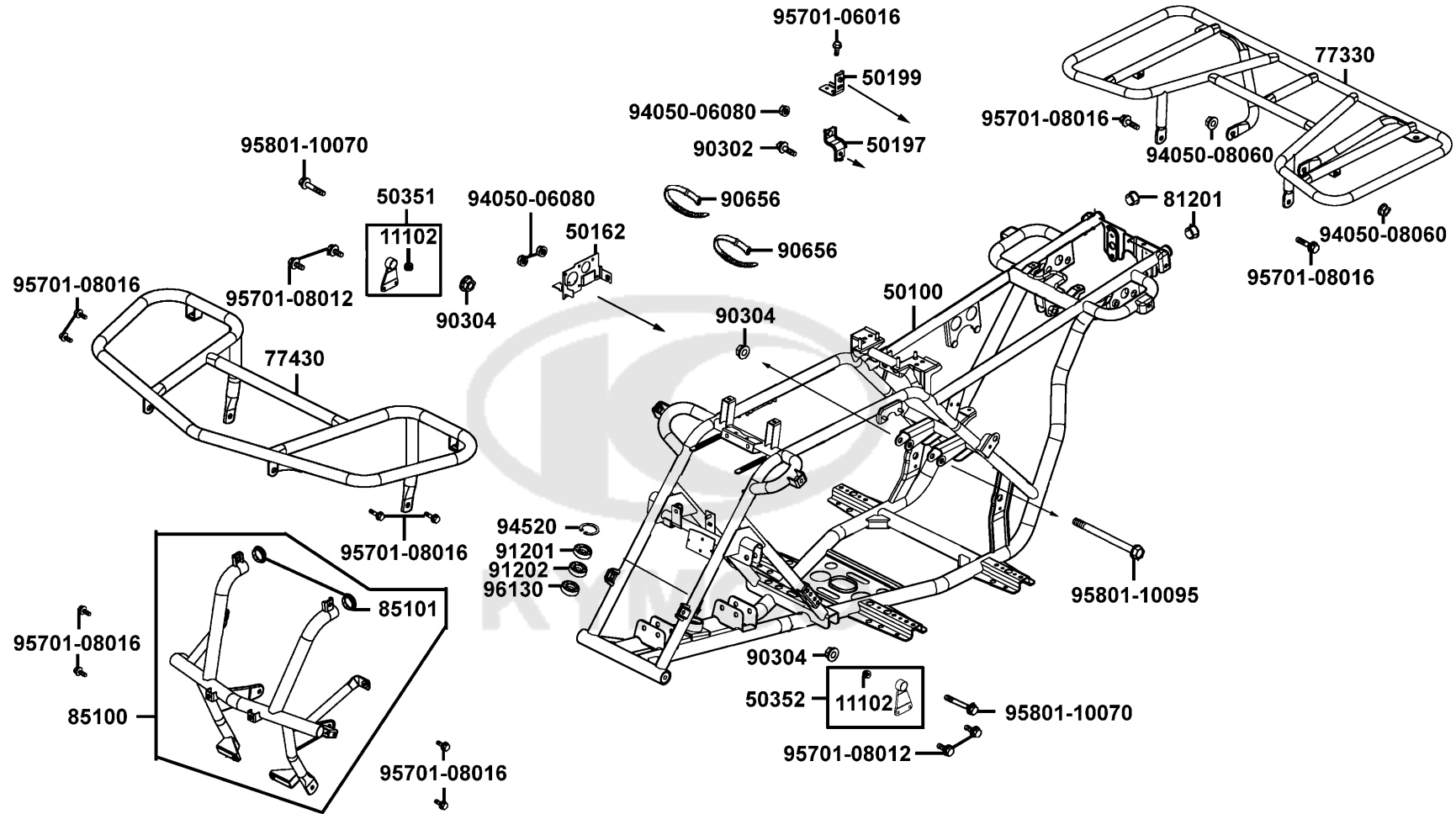


Sales mark 記号	Ref no 参照用番号	Part no パーツ番号	Description 部品名	Reg description 部品名	Regd no 必要個数	Ref Price 希望小売価格(税抜)
	11102	11102-LBD3-900	RUB BUSH ENG HANGER	RUB BUSH ENG HANGER	2	390
	50100	50100-LDB1-700	BODY COMP FRAME	BODY COMP FRAME	1	38150
	50162	50162-LDB1-E00	BRKT COIL & REG	BRKT COIL & REG	1	830
	50197	50197-LLJ1-900	STAY A OIL TANK	STAY A OIL TANK	1	390
	50199	50199-LDB1-E00	STAY B OIL TANK	STAY B OIL TANK	1	300
	50351	50351-LLJ1-EZO	BRKT R ENG HANGER	BRKT R ENG HANGER	1	1630
	50352	50352-LLJ1-EZO	BRKT L ENG HANGER	BRKT L ENG HANGER	1	1630
**	77330	77330-LCA4-E00	RR CARRIER LUGGAGE **(0)	RR CARRIER LUGGAGE **(0) C.2005.04.01	1	15790
**	77430	77430-LCA4-E00	FR CARRIER LUGGAGE **(0)	FR CARRIER LUGGAGE **(0) C.2005.04.01	1	9330
	81201	81201-KKA8-900	CAP RR GRIP END	CAP RR GRIP END	2	200
	85100	85100-LCA4-E00	PIPE COMP FR BUMPER	PIPE COMP FR BUMPER	1	10780
	85101	85101-LCA5-E00		CAP PIPE	2	80
	90302	90302-LLB1-E00	BOLT-WASHER 5*12	BOLT-WASHER 5*12	1	60
	90304	90304-GLW0-90A	NUT CAP 6MM	NUT CAP 6MM	3	200
	90656	90656-KCBC-900	BAND OIL HANDLE 8X146	BAND OIL HANDLE	2	160
	91201	91201-LLB1-900	OIL SEAL 18*32*7	OIL SEAL 18*32*7	1	160
	91202	91202-LLB1-900	OIL SEAL 22*35*7 **(0) C.2005.04.01	OIL SEAL 22*35*7 **(0) C.2005.04.01	1	200
	94050-06080	94050-06080	NUT FLANGE 6MM	NUT FLANGE 6MM	3	60
	94050-08060	94050-08060	NUT FLANGE 8MM	NUT FLANGE 8MM	2	60
	94520	94520-32180	CIR CLIP IN 32	CIR CLIP IN 32	1	160

F21

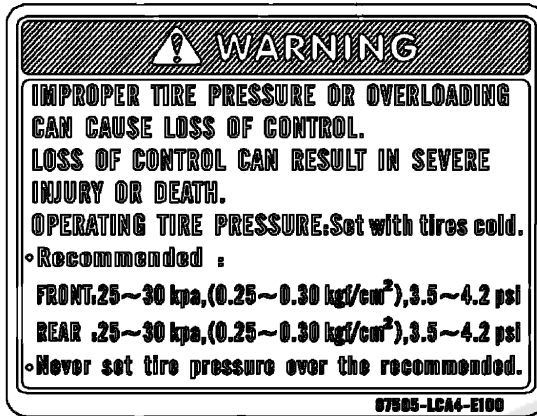
F21

Frame Body

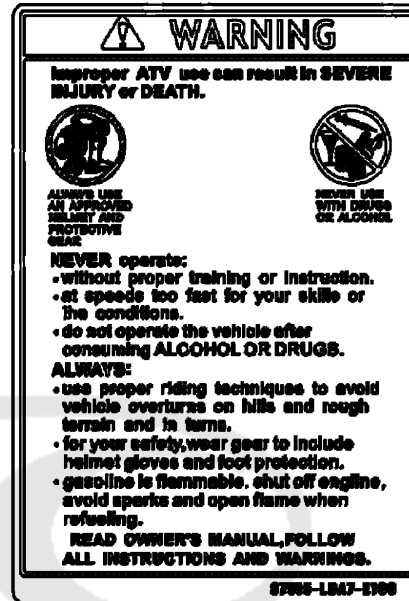


Sales mark 記号	Ref no 参照用番号	Part no パーツ番号	Description 部品名	Reg description 部品名	Regd no 必要個数	Ref Price 希望小売価格(税抜)	F21
95701-06016	95701-06016-06	95701-06016-06	BOLT FLANGE 6X16	BOLT FLANGE 6*22 (K)	1	60	
95701-08012	95701-08012-06	95701-08012-06	BOLT FLANGE 6*22 (K)	BOLT FLANGE 6*22 (K)	4	70	
95701-08016	95701-08016-06	95701-08016-06	BOLT FLANGE 8*16	BOLT FLANGE 8*16	10	90	
95801-10070	95801-10070-06	95801-10070-06	BOLT FLANGE 10*70	BOLT FLANGE 10*70	2	320	
95801-10095	95801-10095-06	95801-10095-06	BOLT FLANGE 10*95	BOLT FLANGE 10*95	1	350	
96130	96130-60020-10	96130-60020-10	BEARING BALL RADIAL 6002	BEARING BALL RADIAL 6002	1	1150	

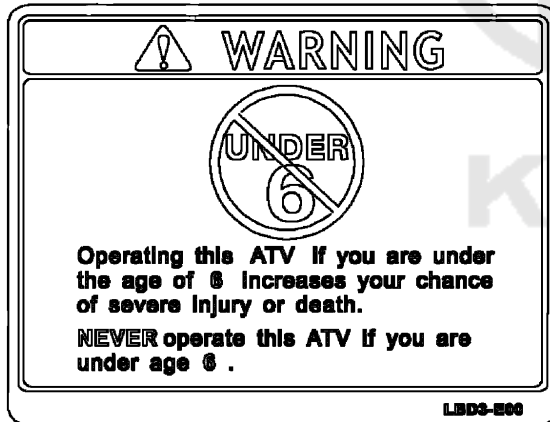




87505



87515



87517



87556-LLB1-E00



87556-LLB1-E01

Sales mark 記号	Ref no 参照用番号	Part no パーツ番号	Description 部品名	Reg description 部品名	Regd no 必要個数	Ref Price 希望小売価格(税抜)	F22
**	86182	86182-LCA5-EVV	SW LABEL	SW LABEL	1	150	
**	87505	87505-LCA4-E01	LABLE TIRE ON ROAD **E01	LABLE TIRE ON ROAD **E01 C.2005.05.24	1	300	
**	87515	87515-LBA7-E01	CAUTION LIST ON ROAD	CAUTION LIST ON ROAD	1	480	
**	87517	87517-LBD3-E00	CAUTION DRIVE AGE	CAUTION DRIVE AGE	1	330	
**	87556-LLB1-E00	87556-LLB1-E00	CAUTION CARRIER MAX LOAD	CAUTION CARRIER MAX LOAD	1	160	
**	87556-LLB1-E01	87556-LLB1-E01	CAUTION DRIVE AGE	CAUTION DRIVE AGE	1	160	



KYMCO

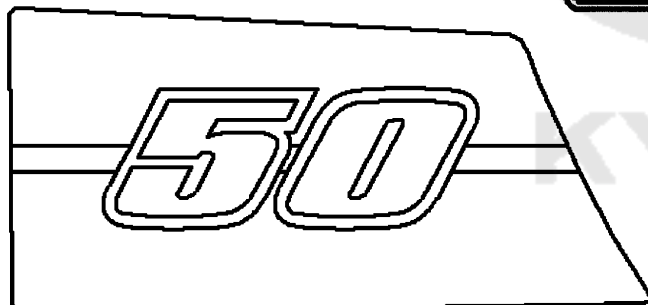
87532-LBE8



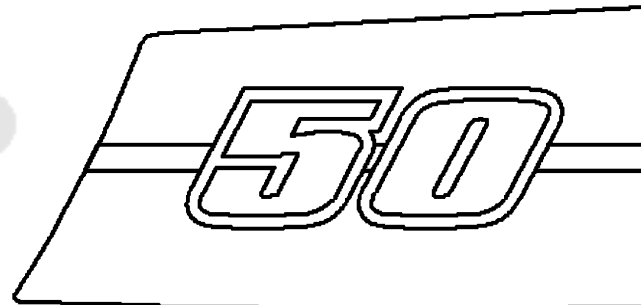
87532-LCA5



86533



86623



86633

Sales mark 記号	Ref no 参照用番号	Part no パーツ番号	Description 部品名	Reg description 部品名	Regd no 必要個数	Ref Price 希望小売価格(税抜)	F23
------------------	-----------------	------------------	--------------------	------------------------	-----------------	-------------------------	-----

**	86533	86533-LDB1-E61	STRIPE FENDER FRONT (RED)	STRIPE FENDER FRONT (RED)	1	1280	
**	86623	86623-LDB1-E61	STRIPE R SIDE COVER (RED)	STRIPE R SIDE COVER (RED)	1	560	
**	86633	86633-LDB1-E61	STRIPE L SIDE COVER (RED)	STRIPE L SIDE COVER (RED)	1	560	
**	87532-LBE8	87532-LBE8-900		STRIPE KYMCO	2	240	
**	87532-LCA5	87532-LCA5-900		STRIPE K-LOGO 60MM	1	480	



PART NO. INDEX
 パーツ番号 検索

PART NO. パーツ番号	VERSION バージョン	PAGE ページ	PART NO. パーツ番号	VERSION バージョン	PAGE ページ	PART NO. パーツ番号	VERSION バージョン	PAGE ページ
1000			11000			13111-1F66-001	2	E10
						13115-1F56-001	0	E10
1001-GAKH-0381	0	E11	11100-LDB1-305	0	E09	14000		
1014-GAKH-9100	0	E11	11102-LBD3-900	2	F21			
1019-GW3H-9800	0	E11	11102-PWA6-900	2	E09	14100-GKAK-921	0	E09
1020-GAKH-9300	0	E11	11200-LDB1-305	2	E09			
1031-181H-8310	0	E11	11203-GFY6-901	0	F15	15000		
1034-153H-9901	0	E11	11205-GHAH-004	0	E09			
103J-073H-9900	0	E11	11208-GKAK-901	0	E09	15100-KFA1-900	3	E09
105B-KBNH-9000	0	E11	1122A-LLB1-900	1	E08	15110-KNBN-901	0	E09
105J-KBNH-9000	0	E11	11341-KBCB-900	0	E05	15115-KNBN-921	0	E09
106B-KG8H-9804	0	E11	11395-GKAK-901	0	E05	1552A-KNBN-950	3	E09
1300-GW0H-9000-K	0	E11				15772-5A51-001	1	E09
1300-GW3H-Q800	0	E11	12000			15772-5L00-013	1	F14
1300-KG8H-9010	0	E11						
1300-KG8H-Q010	0	E11	12101-GKAK-931	0	E02	16000		
1782-KG8H-9010	0	E11	12191-LBD3-900	1	E02			
1785-KBNH-9000-SB0	0	E11	12201-GKAK-921	0	E02	16075-KG8-9010-M1	0	E11
1793-144H-9900	0	E11	12251-GKAK-902	0	E02	16076-KG8-9010-M1	0	E11
1795-KG8H-9011-3	0	E11				16076-ND5-0040	0	E11
1799-KBNH-9000	0	E11	13000			1610K-LEF7-E00	0	E11
						16152-KG8-9010-M1	0	E11
4000			13000-LBD3-900	4	E10	16162-KG8-9010-M1	0	E11
			13011-GKAK-91A	0	E10	1621A-GKAK-901	0	E09
4000-080-0000	0	E11	13101-GKAK-902	1	E10	16912-LLJ1-900	0	F10

PART NO. INDEX
 パーツ番号 検索

PART NO. パーツ番号	VERSION バージョン	PAGE ページ	PART NO. パーツ番号	VERSION バージョン	PAGE ページ	PART NO. パーツ番号	VERSION バージョン	PAGE ページ
1691A-GFY6-90A	4	F10	17720-LBA7-900	1	F05	22102-GHAH-721	2	E06
16950-LLB1-920	1	F10	17910-LDB1-E00	5	F03	22105-LLJ1-900	2	E06
16952-LLB1-900	1	F10	17955-LLJ1-900	3	F10	22110-KFA1-220	0	E06
17000			18000			22121-KFA1-305	0	E06
17100-LLJ1-900	1	E09	18291-LBA7-900	2	F15	22131-GHAH-781	0	E06
17111-LBD3-900	1	E09	1830A-LLJ1-EZ0	2	F15	22132-GLW0-305	0	E06
17112-LBD3-900	1	E09	18318-LLJ1-900	2	F15	22300-GGAG-750	1	E07
17205-LLJ1-900	1	F14	19000			22350-GKAK-930	1	E07
17207-LLJ1-900	4	F14				22401-GJAJ-920	0	E07
1720A-LLJ1-900	0	F14				22530-GKAK-930	1	E07
1720B-LLJ1-900	0	F14	19510-GBW2-901	8	E03	22804-1H48-001	0	E07
17212-LLJ1-900	1	F14	19600-KTDT-900	0	E01	23000		
17214-LLJ1-900	3	F14	19614-LLJ1-900	2	E01	2301A-LLJ1-EZ0	0	E07
17215-KGBG-90B	0	F14	19620-KZCZ-900	1	E01	23100-GKAK-901	1	E07
17254-KACA-P00	0	F14	21000			23200-GAR1-220	2	E07
17500-LCA4-E01	1	F10				23211-LDB1-700	1	E08
17502-1G87-001	0	F12				23220-GKAK-220	1	E07
17522-LLB1-900	1	F10	21200-LDB1-305	2	E08	23225-GAR1-751	0	E07
17524-LLB1-900	1	F10	21310-LDB1-700	1	E08	23233-LLJ1-EZ0	0	E07
1760A-LLB1-900	4	F10	21395-LDB1-700	1	E08	23237-GAR1-220	0	E07
1760B-LLB1-900	3	F10	22000			23238-GFY6-941	0	E07
1763A-LCA5-MY0	1	F10				23411-LDB1-700	2	E08
17700-LCA4-E00	3	F05				23420-LDB1-700	1	E08
17705-LCA4-E00	1	F05	22100-GAR1-751	1	E07	23425-LLB1-900	1	E08

PART NO. INDEX
 パーツ番号 検索

PART NO. パーツ番号	VERSION バージョン	PAGE ページ	PART NO. パーツ番号	VERSION バージョン	PAGE ページ	PART NO. パーツ番号	VERSION バージョン	PAGE ページ
23431-LDB1-700	2	E08				31210-GKAK-901	1	E04
23441-LDB1-700	1	E08	28000			31210-GKAK-90A	0	E04
23451-LDB1-700	1	E08				31600-LBA7-900	6	F20
23472-LLB1-900	1	E08	28114-GAE1-94A	0	F08	3195A-LBA7-E00	1	F20
23481-LCA4-E00	1	E08	28223-KNBN-901	0	E06			
23801-KFW6-902	0	E08	28230-GKAK-921	0	E06	32000		
23811-KCR3-601	0	E08	28250-KNBN-901	1	E06			
			28253-GBN2-60A	0	E06	32100-LDB1-700	2	F20
24000			28255-GFS6-001	0	E06	32101-LLB1-800	1	F20
			28281-GBN2-60A	1	E06	32105-LBD3-900	2	E04
24221-LLB1-900	4	E08	28300-LLJ1-900	1	F16	32105-LBD3-90A	2	E04
24241-KGB4-C00	0	E08				32161-4D04-001	2	F03
24304-LLB1-900	1	E08	30000			32976-LDB1-700	1	E09
24305-LLB1-900	1	E08						
2431A-LDB1-700	1	E08	30400-KFA6-900	0	F20	33000		
24610-LDB1-700	2	E08	3051A-LBD3-900	2	F20			
24701-LDB1-700	3	F16	30700-KNBN-901	2	F20	33100-LCA5-E00	5	F01
24702-LCA4-E00	1	F16				33110-LCA5-E00	0	F01
24703-LLB1-900	1	F16	31000			33120-LCA5-E00	0	F01
24704-LBA7-900	4	F16				33130-LCA5-E00	0	F01
24707-LBA7-900	6	F16	31110-LDB1-E0A	1	E03	33150-LCA5-E00	5	F01
2470A-LCA4-E00	2	F16	31110-LDB1-E0B	1	E03	33400-LCA5-E00	2	F18
24710-LCA4-E00	1	F16	31120-LDB1-E0A	1	E03	33401-LCA5-E00	0	F18
24711-LCA4-E00	1	F16	31120-LDB1-E0B	1	E03	33406-LCA5-E00	0	F18
24721-LDB1-700	1	F16	31203-GKAK-901	0	E04	33450-LCA5-E00	2	F18
24781-LCA5-E00	2	F16	31209-GKAK-901	3	E04	33451-LCA5-E00	0	F18

PART NO. INDEX
 パーツ番号 検索

PART NO. パーツ番号	VERSION バージョン	PAGE ページ	PART NO. パーツ番号	VERSION バージョン	PAGE ページ	PART NO. パーツ番号	VERSION バージョン	PAGE ページ
33456-LCA5-E00	0	F18	35350-KNBN-901	0	F04	40000		
33600-LCA4-E00	3	F18	35410-LLJ1-900	2	F12			
33601-LCA4-E00	0	F18	35759-LDB1-700	3	E09			
33606-LCA4-E00	0	F18						
33650-LCA4-E00	3	F18	37000					
33651-LCA4-E00	0	F18						
33656-LCA4-E00	0	F18	37119-LCA5-E0A	0	F02			
33700-LBA7-E00	3	F19	37200-LDB1-E0A	1	F02			
33701-LBA7-E00	0	F19	37213-LCA5-E00	0	F02			
33710-LBA7-900	0	F19	37214-KGV7-67A	0	F02			
33741-KEBE-900	3	F19	37290-LLB1-E00	4	F08	41000		
			37295-LLB1-E00	1	F02			
			37801-LAB4-910	1	F10			
34000			3780A-LCA4-E01	1	F10	42000		
34901-KFA6-900	0	F01						
34903-KPCP-900	0	F01	38000					
34905-LBA7-E00	0	F18						
34906-KPCP-900	0	F19	38110-KHB4-E0A	2	F20			
			38110-KHB4-E0B	2	F20			
35000			38300-KECE-900	3	F20			
			38500-KFA6-900	0	F20			
35010-LCA4-9V0	1	F20	3860A-LCA5-E01	3	F20			
35111-LCA5-325-M1	0	F20						
35111-LCA5-326-M1	0	F20	39000			42000		
3520A-LCA4-EV0	0	F03						
35340-LLB1-800	0	F03	39000-LLB1-900	2	F20			

PART NO. INDEX

パーツ番号 検索

PART NO. パーツ番号	VERSION バージョン	PAGE ページ	PART NO. パーツ番号	VERSION バージョン	PAGE ページ	PART NO. パーツ番号	VERSION バージョン	PAGE ページ
42753-KNBN-90B	1	F08				46450-LLB1-900	6	F03
43000			45000			47000		
			45100-LLB1-900	2	F07			
43100-LLB1-800	6	F08	45105-KFA6-305	0	F08	47400-LLB1-900	6	F17
43126-LDB1-700	3	F04	45107-KFA6-900	0	F08	47402-LLB1-900	2	F17
4312A-KXCX-900	9	F07	45108-KFA6-900	2	F08	47403-LLB1-900	2	F17
43156-LDB2-900	2	F14	45109-KFA6-900	0	F08	47404-LLB1-900	3	F17
43156-LLB1-800	1	F17	45132-KFA6-900	0	F08	47405-LLB1-900	3	F17
43210-LLB1-305	2	F08	45133-0H28-001	1	F07	47410-LCA5-E00	2	F07
43350-LLB1-800	3	F08	45133-KFA6-900	0	F08	47410-LCA5-E00	2	F08
43351-KEBE-900	2	F08	45134-2L50-001	0	F07	47500-LLB1-900	6	F17
43352-5H68-004	3	F08	45141-LLB1-900	1	F07			
43353-4A61-77A	0	F08	45145-LLB1-900	1	F07	50000		
43530-PVA2-305	1	F04	45209-KFA6-900	0	F08			
			45410-LLB1-900	4	F07	50100-LDB1-700	5	F21
44000			45450-LLB1-900	6	F03	50162-LDB1-E00	2	F21
			45513-GLW0-91A	0	F04	50197-LLJ1-900	0	F21
44311-LLB1-900	2	F07	45517-KFAF-900	0	F04	50199-LDB1-E00	1	F21
4460A-LCA4-E00	3	F07	45520-GLW0-91A	0	F04	50306-LLB1-900	1	F08
44620-LLB1-900	2	F07	45531-GAR1-951	0	F08	5032A-LCA4-E00	2	F11
44705-LCA5-E00	3	F07				50351-LLJ1-EZ0	2	F21
44710-LCA4-E0A	2	F07	46000			50352-LLJ1-EZ0	2	F21
44710-LCA4-E0B	3	F07				50612-LCA4-E00	2	F13
			46100-LLB1-900	2	F07	50613-LCA4-E00	2	F13
			46410-LLB1-900	4	F07			

PART NO. INDEX
 パーツ番号 検索

PART NO. パーツ番号	VERSION バージョン	PAGE ページ	PART NO. パーツ番号	VERSION バージョン	PAGE ページ	PART NO. パーツ番号	VERSION バージョン	PAGE ページ
51000			53178-KEBE-900	0	F04			
			5317A-LLB1-810	2	F03	55000		
			53185-LLB1-800	0	F03			
51400-LCA4-E00	4	F17	53189-LLB1-800	0	F03	55100-LLJ1-900	3	F12
			53192-LLB1-800	0	F03	55102-1F66-001	0	E09
52000			53194-LLB1-800	0	F03	55106-KEB7-900	2	F12
			53195-LLB1-800	0	F03	55123-LLJ1-900	1	E09
52000-LCA4-E00	5	F17	53196-LLB1-800	0	F03	55200-LLJ1-900	1	E09
52101-LLB1-900	2	F17	53197-LLB1-800	0	F03	55201-GHC8-001	0	E09
52105-LLB1-900	1	F17	53198-LLB1-800	0	F03			
52108-KEE5-004	2	F17	53199-LLB1-800	0	F03	60000		
52144-LBA7-900	1	F17	53200-LCA4-900	1	F06			
52400-LCA4-E00	3	F17	53205-LCA5-E00	3	F03	60100-LCA4-E00	1	F05
			53250-LLB1-900	1	F06	60120-LDB1-E00	2	F05
53000			53251-LCA5-E00	1	F06			
			53252-LBA7-900	4	F06	61000		
53100-LCA4-E00	3	F03	53254-LBA7-900	3	F06			
53104-LCA4-E00	1	F03	53400-LCA4-E00	3	F17	61104-3G57-001	0	F10
53131-4K39-001	0	F03	53402-LLB1-900	2	F17	61104-3G57-001	0	F19
53132-LLB1-900	6	F03	53500-LCA4-E00	3	F17			
53160-LLB1-800	0	F03	53700-LCA4-E00	3	F06	64000		
53161-LLB1-800	0	F03	53701-LCA4-E00	1	F06			
53162-LLB1-800	0	F03	53702-LBA7-900	1	F16	64222-LLJ3-E00	1	F13
53166-KEC5-001	1	F03	53702-LLB1-900	8	F06	64301-LCA4-E00	1	F05
53170-LLB1-800	0	F03	53703-LBA7-900	1	F16	64302-LCA5-E01	1	F05
53175-LLB1-800	0	F03	53703-LLB1-900	8	F06	6430A-LCA4-E00	1	F05

PART NO. INDEX

パーツ番号 検索

PART NO. パーツ番号	VERSION バージョン	PAGE ページ	PART NO. パーツ番号	VERSION バージョン	PAGE ページ	PART NO. パーツ番号	VERSION バージョン	PAGE ページ
77000			83000			87000		
77200-LCA4-E00	1	F09	83500-LCA4-E01	2	F13	87322-LBA7-E00	3	F05
77205-2F86-001	1	F09	83600-LCA4-E01	2	F13	87505-LCA4-E01	2	F22
77206-LBA7-900	1	F09				87515-LBA7-E01	1	F22
77303-LLB1-900	3	F09	84000			87517-LBD3-E00	2	F22
77330-LCA4-E00	3	F21				87532-LBE8-900	2	F23
77430-LCA4-E00	3	F21	84703-LLB1-900	1	F03	87532-LCA5-900	1	F23
			84703-LLB1-900	1	F19	87556-LLB1-E00	2	F22
80000			85000			87556-LLB1-E01	2	F22
80100-LCA4-E00	1	F13				89000		
80106-LCA4-E00	2	F13	85100-LCA4-E00	2	F21			
80108-LCA4-E00	1	F13	85101-LCA5-E00	2	F21	89010-LDB1-700	3	F09
80110-LBA7-900	1	F13				89020-KKC4-900	1	F09
80121-LCA4-E01	2	F13	86000					
80122-LCA4-E01	2	F13				90000		
80125-LBD4-900	1	F13	86102-KKC4-900	3	F05			
80157-KCBC-900	0	F06	86182-LCA5-EVV	1	F22	90001-GKAK-901	2	E02
80157-KCBC-900	0	F17	86533-LDB1-E61	4	F23	9000A-KTDT-900	1	E05
			86623-LDB1-E61	5	F23	90033-LLB1-900	1	F08
81000			86633-LDB1-E61	5	F23	90101-LCA5-E00	2	F16
81201-KKA8-900	0	F21				90105-LBA7-900	2	F08
81202-LCA4-E00	1	F19				90112-KRDR-900	1	F20
						90112-LBD4-800	1	F08

PART NO. INDEX
 パーツ番号 検索

PART NO. パーツ番号	VERSION バージョン	PAGE ページ	PART NO. パーツ番号	VERSION バージョン	PAGE ページ	PART NO. パーツ番号	VERSION バージョン	PAGE ページ	
90114-1F66-007	2	F04	90412-3K29-001	0	E06	91000			
90115-LLB1-800	0	F03	90442-0D44-001	0	E07				
90122-GCS3-001	0	E06	90451-0A01-001	1	E08				
90122-LLB1-800	2	F08	90451-1G07-001	1	E08		91001-GGA7-70A	2	E07
90133-LLB1-900	1	E01	90451-GBN2-601	0	E06		91001-GLW0-90A	6	E09
90145-LEA3-E00	1	F04	90451-LBA7-900	1	E08		91004-KBN2-90A	0	E08
90202-1G87-001	2	E07	90454-GBB2-001	0	E07		91004-KNBN-92A	0	E09
90301-6D34-671	1	F19	90455-LDB1-700	1	E08		91006-KNBN-901	5	E09
90301-KGBG-900	1	F15	90474-3C33-001	1	E08		91102-GLW0-009	0	E10
90301-LBA7-900	1	F07	90501-LCA4-E00	1	F07		91103-GAR1-004	0	E07
90301-LBA7-900	1	F08	90545-3L00-001	2	F04		91106-KHC4-90A	0	E08
90301-LLB1-800	0	F03	90610-LLJ1-900	2	F14		91106-LBA7-900	1	E08
90302-GBR2-001	1	F10	90651-LCA5-E00	1	F01		91106-LBA7-900	1	E09
90302-GFY6-901	1	F12	90652-KTCT-900	1	F14		91106-LBA7-90A	0	E08
90302-LLB1-E00	2	F21	90652-LCA4-E00	1	F13		91106-LBA7-90A	0	E09
90302-PWA1-900	2	F03	90656-KCBC-900	0	F20		91107-LBA7-900	1	E08
90302-PWA1-900	2	F05	90656-KCBC-900	0	F21		91107-LBA7-90A	0	E08
90302-PWA1-900	2	F11	90656-KUDU-900	0	F20		91201-KNBN-92A	0	E09
90302-PWA1-900	2	F13	90677-GAR1-004	1	F05		91201-LLB1-900	2	F21
90304-GLW0-90A	1	F08	90677-GAR1-004	1	F13	91202-3B02-001	1	E08	
90304-GLW0-90A	1	F17	90741-0E35-001	0	E10	91202-KNBN-92A	0	E09	
90304-GLW0-90A	1	F21	90750-LLB1-900	2	E01	91202-LLB1-900	1	F21	
90305-GHE8-004	1	F17	90754-LLB1-900	1	F07	91204-KNBN-90A	1	E09	
90305-GHK8-001	1	F13				91211-GHK8-014	1	E07	
90305-MAA1-004	1	F06				91251-GHC8-004	0	F07	
90321-LLB1-800	0	F03				91254-LLB1-900	1	F08	

PART NO. INDEX
 パーツ番号 検索

PART NO. パーツ番号	VERSION バージョン	PAGE ページ	PART NO. パーツ番号	VERSION バージョン	PAGE ページ	PART NO. パーツ番号	VERSION バージョン	PAGE ページ
91256-LDB1-700	1	E08	93500-04016-0G	0	F03	94002-06060-0S	0	F16
91301-KEA5-742	0	E07	93500-05012-0F	0	E09	94011-10080-0S	1	F17
91302-PKA9-004	0	E07	93500-05014-0G	0	F03	94011-LBA7-900	1	F08
91304-GLB0-911	1	E09	93500-05016-1B	0	F10	94011-LLB1-900	4	F07
91309-GKAK-901	0	E04	93600-04012-1G	0	F04	94012-LLB1-900	1	F06
91509-LLB1-900	4	E01	93891-05012-06	0	F08	94030-10080	0	F03
			93892-04008-16	0	E11	94050-05080	0	F19
92000			93892-04014-18-3	0	E11	94050-06060	0	F04
			93893-04012-18	0	F04	94050-06080	0	E09
92000-06010-0G	0	E08	93903-25460	0	F14	94050-06080	0	E11
92000-06025-0G	0	E03	93903-34360	0	F05	94050-06080	0	F05
92700-06028-1B	0	E02	93903-34360	0	F13	94050-06080	0	F07
92918-LCA4-E00	1	F07	93903-35260	0	F01	94050-06080	0	F10
			93903-35260	0	F02	94050-06080	0	F19
93000			93903-35260	0	F18	94050-06080	0	F20
			93903-35360	0	F05	94050-06080	0	F21
93191-LLB1-800	0	F03				94050-08060	0	F21
93404-06012-06	0	F16	94000			94050-08080	0	F15
93404-06016-06	0	F01				94050-08080	0	F16
93404-06016-06	0	F13	94001-05060-0S	0	F03	94050-10080	0	E03
93404-06016-06	0	F17	94001-08080-0S	0	F16	94050-10080	0	E07
93404-06020-06	1	F13	94001-08080-0S	0	F17	94101-06700	0	F15
93404-06025-06	0	F14	94001-12280-0S	0	E06	94101-08800	0	F17
93404-KKC2-900-06	1	F05	94001-LBA7-900	1	F16	94101-10800	0	F03
93406-LLB1-900	0	F03	94001-LLB1-800	2	F06	94102-08000	5	F16
93500-03008-0G	0	F03	94001-LLB1-900	2	F06	94111-08800	0	F15

PART NO. INDEX

パーツ番号 検索

PART NO. パーツ番号	VERSION バージョン	PAGE ページ	PART NO. パーツ番号	VERSION バージョン	PAGE ページ	PART NO. パーツ番号	VERSION バージョン	PAGE ページ
94111-08800	0	F16	95002-02650	0	E09	95801-08035-06	1	F15
94111-08800	0	F17	95002-41300-00	0	F10	95801-08045-06	0	F15
94201-20150	0	F16	95002-50000	0	E09	95801-08060-06	0	F06
94201-25250	0	F17	95002-50000	0	F10	95801-10040-06	0	F17
94201-25300	0	F06	95005-45360-50	6	F10	95801-10057-06	2	F17
94201-30250	0	F06	9500C-LLJ1-900	1	F10	95801-10070-06	1	F21
94201-30300	0	F07	95701-06008-06	1	F15	95801-10095-06	0	F21
94201-30300	0	F08	95701-06010-06	1	F17	95801-LLB1-900	3	F08
94301-08100	1	E08	95701-06016-06	1	F03			
94301-10160	0	E08	95701-06016-06	1	F21	96000		
94301-10200	0	E09	95701-06022-06	1	F10			
94510-20000	0	E08	95701-06022-06	1	F16	96001-06006-02	0	F15
94511-14000	0	E06	95701-06025-06	2	E01	96001-06010-06	0	E09
94520-24000	1	E07	95701-06028-06	0	F07	96001-06012-06	0	E03
94520-32180	0	F21	95701-06035-06	1	E01	96001-06012-06	0	E09
94520-LDB5-E00	0	E08	95701-08012-06	0	E08	96001-06014-06	0	E08
94540-12028	0	E08	95701-08012-06	0	F20	96001-06016-06	0	E03
94591-27000	0	F05	95701-08012-06	0	F21	96001-06016-06	0	F16
94591-27000	0	F13	95701-08016-06	0	F13	96001-06022-06	1	E09
			95701-08016-06	0	F21	96001-06022-06	1	F04
95000			95701-08040-06	0	E08	96001-06025-06	0	E04
			95701-10012-06	0	E08	96001-06032-06	0	E09
95002-02080	0	F10	95701-LLB1-800	0	F03	96001-06045-06	0	E09
95002-02100	0	E09	95801-06040-06	0	F14	96001-06055-06	0	E09
95002-02100	0	F05	95801-08028-06	0	F16	96001-LDB1-700	2	E08
95002-02100	0	F10	95801-08035-06	1	E08	96002-LDB1-700	2	E08

PART NO. INDEX

パーツ番号 検索

PART NO. パーツ番号	VERSION バージョン	PAGE ページ	PART NO. パーツ番号	VERSION バージョン	PAGE ページ	PART NO. パーツ番号	VERSION バージョン	PAGE ページ
96100-60040-00	0	E08						
96100-62020-00	0	E09	N					
96100-63020-00	0	E08						
96130-60020-10	0	F21	N413-32F00	0	E11			
96150-60030-10	0	F07	N425-5YC00	0	E11			
96150-69070-10	0	F08	N426-38426	0	E11			
96201-10000	0	F17						
96211-12000	0	E01	S					
96600-06020-06	0	F03						
			S785-0840	0	E11			
98000								
			W					
98076-5871G-00	0	E02						
98200-12000	0	F11	W9535-25000	0	E11			
98200-12000	0	F20						
99000								
99101-116-0800	0	E11						
K								
K378-001	0	E11						